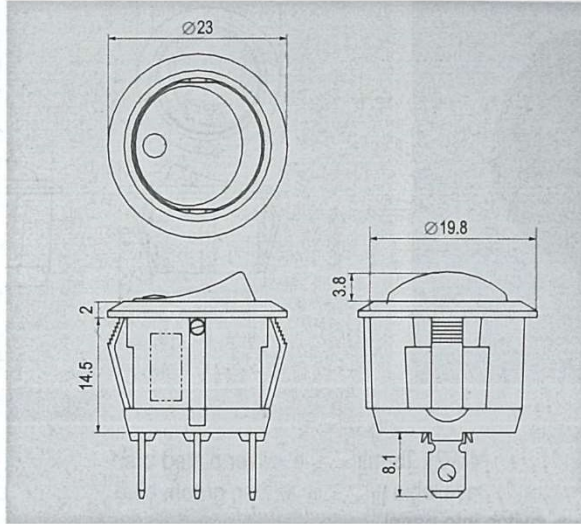
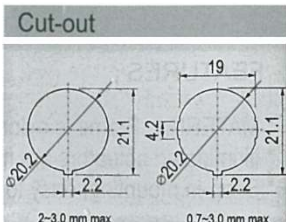


OPTION PAGE

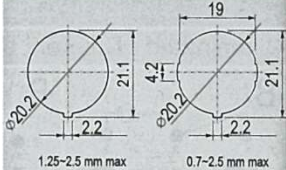


Rating
16A 125V AC 10A 250V AC
Contact resistance
50mΩ Max
Insulation resistance
DC 500V 100MΩ Min
Dielectric strength
AC 1500V 1 minute



0.7~3.0 mm max

Cut-out for X8 ROCKER



0.7~2.5 mm max

FEATURES

- * MATERIAL: Frame is nylon (UL flame: 94V-2). Terminals are silver plated brass.
- * Illuminated actuators are molded in PC, available with red, amber, green, blue and white colors.
- * Snap-in mounting, easy to install switch into panel.
- * Except lever type actuator (AP, BP, CP, DP, LP), watertight cover is optional.
- * Watertight cover is optional.




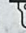
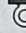
Connector is optional



Watertight cover is optional

ROCKER	
A,B,BF C,D,E, F,G,H, I	A5
A2 E2 F2	LP
A2B	A8,B8 B8F C8,D8 F8,E8
B2 B2F	B9 B9F
L	AP BP CP DP



FUNCTION					TERMINAL
Different button					0 2  .187" SQ
A	A 2	A 5	A P	A 2 B	0 9  PC A/C/D/E/F/G/H/I
					1 2  SO A/C/D/E/F/G/H/I
Illuminated / Different button					
B	B 2	B 9	B 10	B P	
Momentary / Illuminated / Different button					
B F	B 2 F	B 9 F			
Different position / Different button					
C	C P	D	D P		
Momentary					
E	F	G	H	I	
Independent circuit / Different button					
L	L P	L F			
Watertight					
A 8	B 8	B 8 F	C 8	D 8	F 8
E 8					