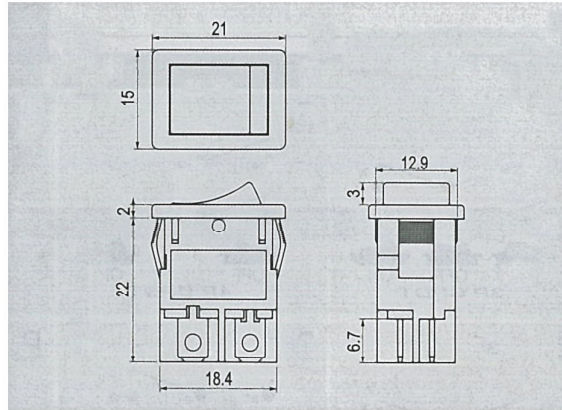
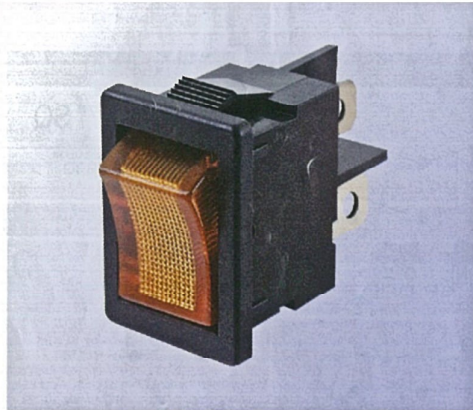


OPTIONS



Rating
10A 125V AC 6A 250V AC
Contact resistance
50mΩ Max
Insulation resistance
DC 500V 100MΩ Min
Dielectric strength
AC 1500V 1 minute
Cut-out

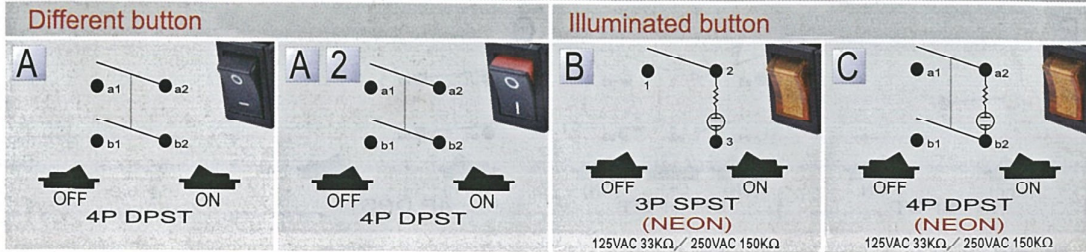


FEATURES

- * MATERIAL: Frame is nylon (UL flame: 94V-2). Terminals are silver plated brass.
- * Illuminated actuators are molded in PC, available with red, amber, green, blue and white colors.
- * Snap-in mounting, easy to install switch into panel.

Actuator Size	X	Y
0.75-1.25	19.2-0.1	13.0+0.1
1.25-2.0	19.4-0.1	13.0+0.1
2.0-3.0	19.8-0.1	13.0+0.1

FUNCTION



TERMINAL

0 2	.187" SQ
0 9	PC
1 0	PC ANGLE