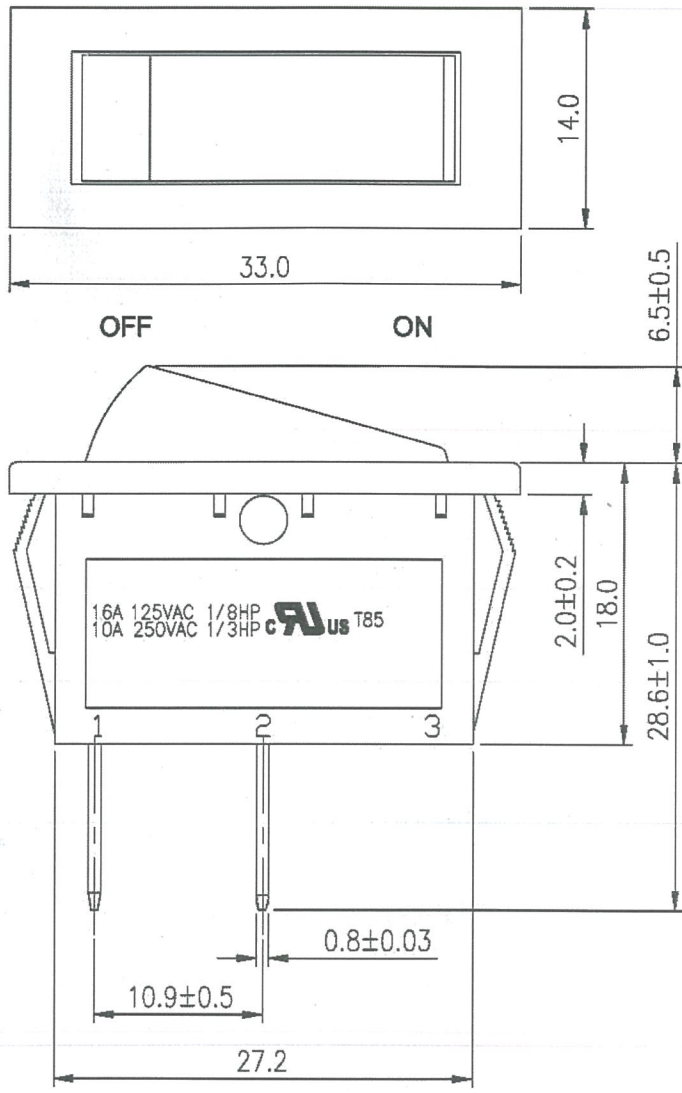
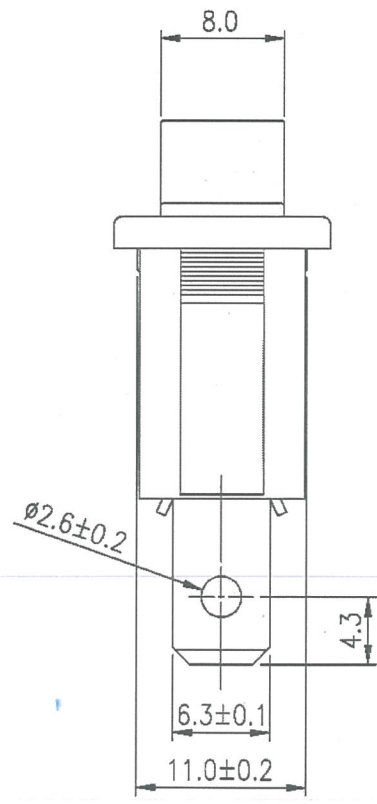


THIS INFORMATION IS CONFIDENTIAL AND PROPRIETARY TO CW INDUSTRIES INCORPORATED AND ITS AFFILIATES. IT MAY NOT BE DISCLOSED TO ANYONE, OTHER THAN CW INDUSTRIES PERSONNEL, WITHOUT WRITTEN AUTHORIZATION FROM CW INDUSTRIES INCORPORATED, SOUTHAMPTON, PENNSYLVANIA USA.

Rating	16A 125VAC 1/8HP 10A 250VAC 1/3HP	T85		Mounting Hole		Circuit Diagram	
	Contact Resistance			50m ohm Max.			
Insulation Resistance	DC 500V 100M ohm Min.			Thickness	X	Y	
Dielectric Strength	AC 1500V 1 minute			0.75...1.25	30.2-0.1	11.2+0.1	
Operation Temperature	-25°C~85°C			1.25...2	30.4-0.1	11.2+0.1	
Switch Function	2P SPST ON-OFF			2...3	30.8-0.1	11.2+0.1	



Material:
 Frame: Black, Nylon#66
 Actuator: Black, Nylon#66
 Printed: None



Tolerances ±0.3 Unless Otherwise Specified.

ORDER CHART				
Series	GRB070 A 01 B B			
Function				
Terminal				
Frame Color				
Actuator Color				

MASTER

R13-70A-01	Date Drawn: DW 1/29/26	Rev. 0	Unit: mm	Checked By: <i>G. GULD</i>
cw INDUSTRIES Southampton, Pa. 18966 Tel 215.355.7080/www.cwind.com	Title: ROCKER SWITCH		CW P/N: GRB070A01BB	