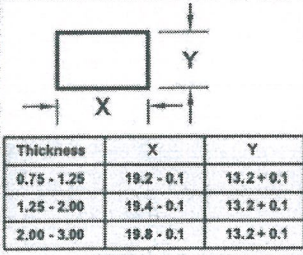


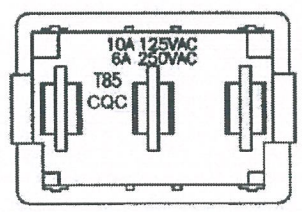
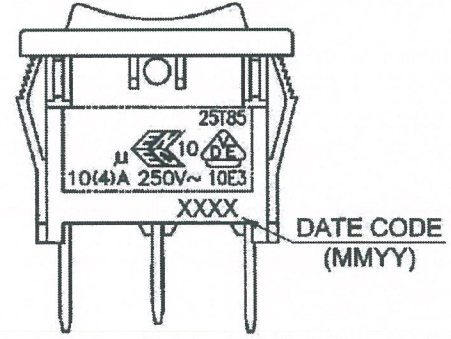
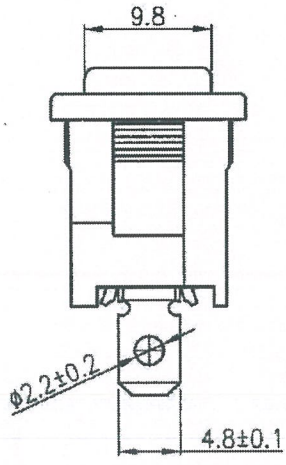
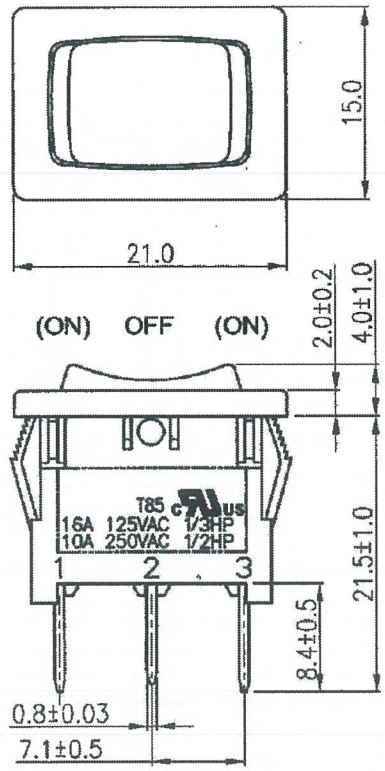
THIS INFORMATION IS CONFIDENTIAL AND PROPRIETARY TO CW INDUSTRIES INCORPORATED AND ITS AFFILIATES. IT MAY NOT BE DISCLOSED TO ANYONE, OTHER THAN CW INDUSTRIES PERSONNEL, WITHOUT WRITTEN AUTHORIZATION FROM CW INDUSTRIES INCORPORATED, SOUTHAMPTON, PENNSYLVANIA USA.

|                       |                       |        |               |                 |
|-----------------------|-----------------------|--------|---------------|-----------------|
| Rating                | 16A 125VAC 1/3HP      | CFL US | Mounting Hole | Circuit Diagram |
|                       | 10A 250VAC 1/2HP      |        |               |                 |
|                       | 10(4)A 250V ~         | 10 DE  |               |                 |
|                       | 10A 125VAC 6A250VAC   | CQC    |               |                 |
| Contact Resistance    | 50m ohm max.          |        |               |                 |
| Insulation Resistance | DC 500V 100M ohm min. |        |               |                 |
| Dielectric Strength   | AC 1500V 1 minute     |        |               |                 |
| Operating Temperature | -25°C ~ 85°C          |        |               |                 |
| Switch Function       | 3P SPDT (ON)-OFF-(ON) |        |               |                 |



( ) = Momentary

**MATERIAL:**  
 Frame: Black, Nylon 66  
 Actuator: Black, Nylon 66  
 Printing: None



| ORDER CHART |                 |                |  |
|-------------|-----------------|----------------|--|
| Series      | GRB066 I 02 B B |                |  |
| Function    | Terminal Type   | Actuator Color |  |
| Frame Color |                 |                |  |

**MASTER**

Tolerances ±0.3 Unless Otherwise Specified

R13-66I-02-BBNN

1 Removed Logo & updated drawing. DW 11/11/22.

|  |                             |        |                            |                            |
|--|-----------------------------|--------|----------------------------|----------------------------|
| <br>Southampton, Pa. 18966<br>Tel 215.355.7080/www.cwind.com | Date Drawn: 10/10/19        | Rev. 1 | Unit: mm                   | Checked By: <i>G. GULD</i> |
|  | Title: <b>ROCKER SWITCH</b> |        | CW P/N: <b>GRB066I02BB</b> |                            |