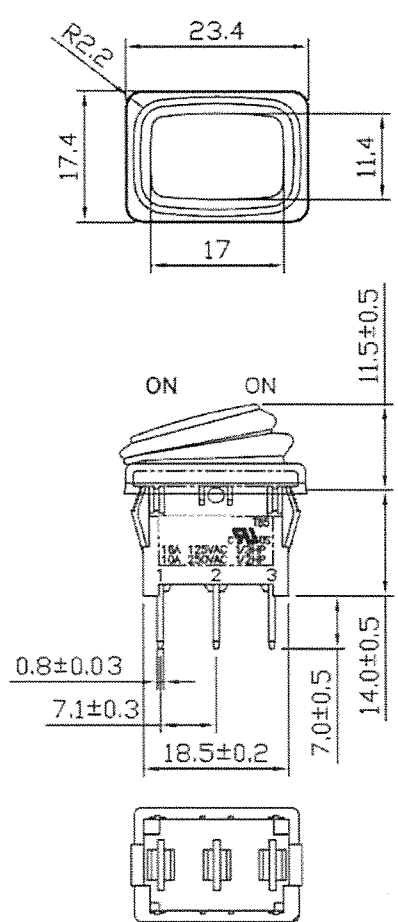
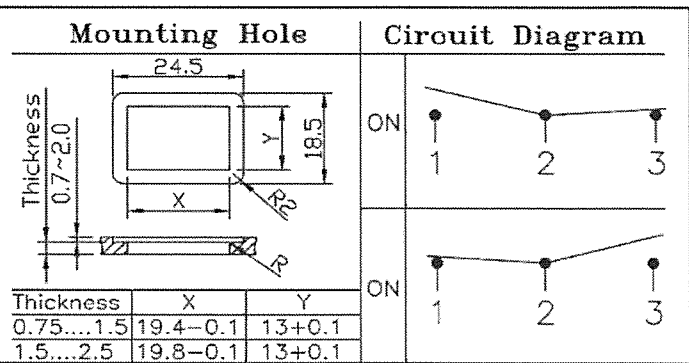
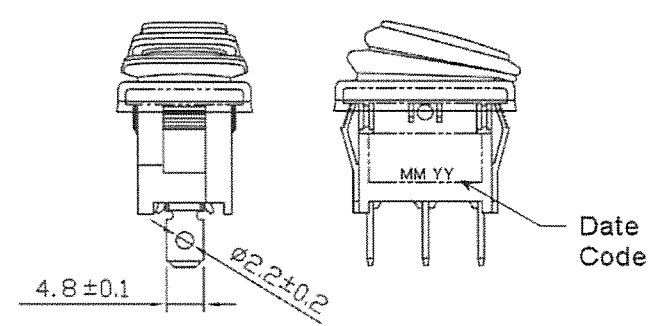


THIS INFORMATION IS CONFIDENTIAL AND PROPRIETARY TO CW INDUSTRIES INCORPORATED AND ITS AFFILIATES. IT MAY NOT BE DISCLOSED TO ANYONE, OTHER THAN CW INDUSTRIES PERSONNEL, WITHOUT WRITTEN AUTHORIZATION FROM CW INDUSTRIES INCORPORATED, SOUTHAMPTON, PENNSYLVANIA USA.

Rating	16A 125V AC 1/3 HP 10A 250V AC 1/2 HP	
	16(4)A 125/250Va.c	
	16A 12VDC, 10A 28VDC, 6A 14VT	
Contact Resistance	50m ohm Max.	
Insulation Resistance	DC 500V 100M ohm Min.	
Dielectric Strength	AC 1500V 1 minute	
Operation Temp.	- 25 °C ~ 85 °C	
Switch Function	3P SPDT ON - ON	



**Material:**  
 Frame: Black, Nylon 66(94-V2)  
 Actuator: Black, PC(94-V2)  
 Waterproof Rubber: Black, Silicone  
 Terminals: Silver plated, Copper alloy  
 Hot stamping: None  
 Waterproof: IP65



ORDER CHART				
Series	Terminal Type	Frame Color	Actuator Color	
GRB066	C8	02	B	B
Function				

RoHS Compliant  
R13-66C8-02

2	Removed CW logo, added order chart and SCI part number.	APhilip 12/02/22
1	Added 16(4) A rating & 0.8+/-0.03 was 0.8+/-0.05. 3/30/15.	

 Southampton, Pa. 18966 Tel 215.355.7080/www.cwind.com	Date Drawn: 8/28/14	Rev. 2	Unit: mm	Checked By: <i>G. GULD</i>
	Title: <b>ROCKER SWITCH</b>		CW P/N: <b>GRB066C802BB</b>	