

THIS INFORMATION IS CONFIDENTIAL AND PROPRIETARY TO CW INDUSTRIES INCORPORATED AND ITS AFFILIATES. IT MAY NOT BE DISCLOSED TO ANYONE, OTHER THAN CW INDUSTRIES PERSONNEL, WITHOUT WRITTEN AUTHORIZATION FROM CW INDUSTRIES INCORPORATED, SOUTHAMPTON, PENNSYLVANIA USA.

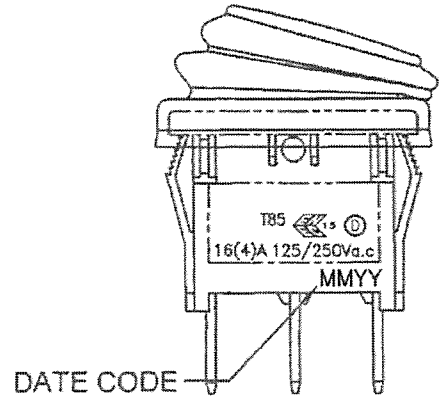
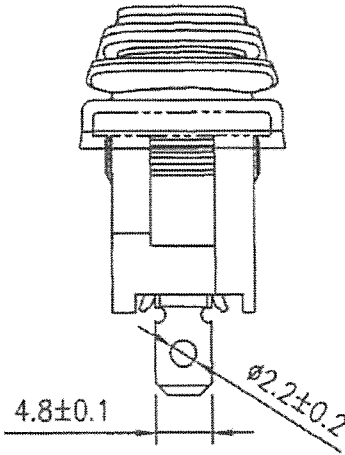
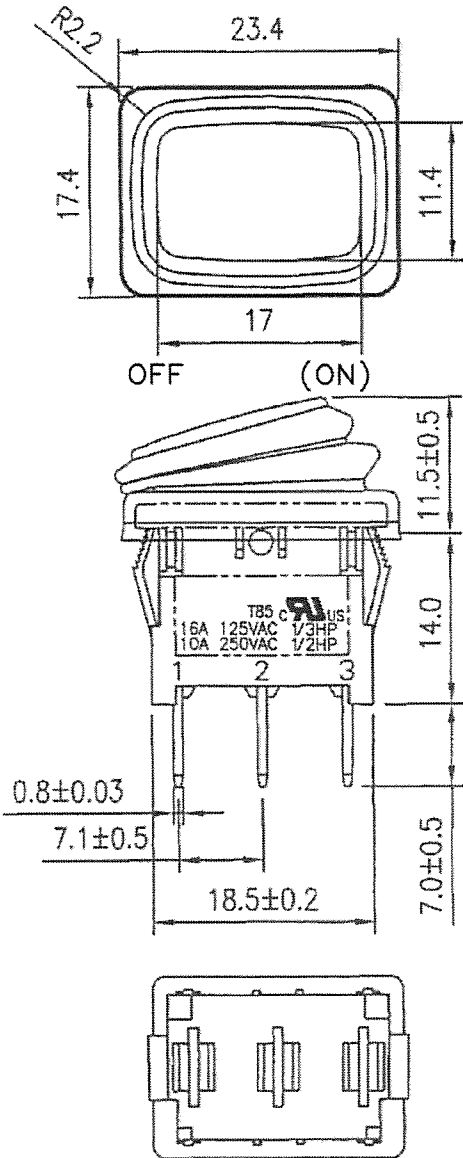
Ratings	16A 125VAC 1/3HP		Mounting Hole	Circuit Diagram									
	16(4)A 125Va.c												
Contact Resistance	50m ohm Max.												
Insulation Resistance	DC 500V 100M ohm Min.												
Dielectric Strength	AC 1500V 1 minute		<table border="1"> <tr> <th>Thickness</th> <th>X</th> <th>Y</th> </tr> <tr> <td>0.75...1.5</td> <td>19.4 - 0.1</td> <td>13 + 0.1</td> </tr> <tr> <td>1.5.....2.5</td> <td>19.8 - 0.1</td> <td>13 + 0.1</td> </tr> </table>	Thickness		X	Y	0.75...1.5	19.4 - 0.1	13 + 0.1	1.5.....2.5	19.8 - 0.1	13 + 0.1
Thickness	X	Y											
0.75...1.5	19.4 - 0.1	13 + 0.1											
1.5.....2.5	19.8 - 0.1	13 + 0.1											
Operation Temperature	- 25° C ~ 85° C												
Switch Function	3P SPST (ON) - OFF												
Lamp Type	NEON — Dependent												

() = Momentary

MATERIAL:

- Frame: Black, Nylon 66 (94-V2)
- Actuator: Red, PC (94-V2)
- Waterproof Rubber: Black, Silicone
- Terminals: Silver plated, Copper alloy
- Hot Stamping: None
- Waterproof: IP65

Tolerance +/-0.3 Unless Otherwise Specified.



Order Chart						
Series	Terminal Type	Frame Color	Voltage			
GRB066	B8F 02	B R N	1			
Function		Actuator Color	Lamp Type			

R13-66B8F-02

1 | Removed CW logo. APhilip 11/28/22

CW INDUSTRIES
Southampton, Pa. 18966
Tel 215.355.7080/www.cwind.com

Date Drawn: 12/06/17

Rev. 1

Unit: mm

Checked By: *G. GULD*

Title:

ROCKER SWITCH

CW P/N:

GRB066B8F02BRN1