
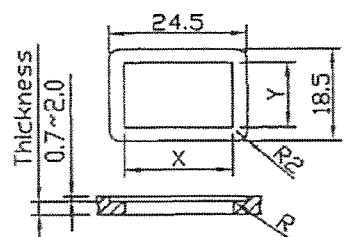
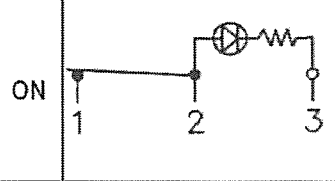
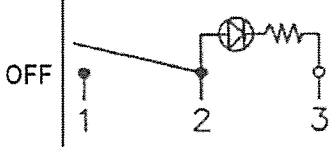
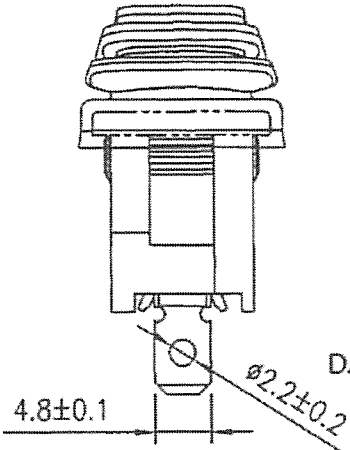
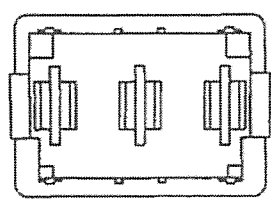
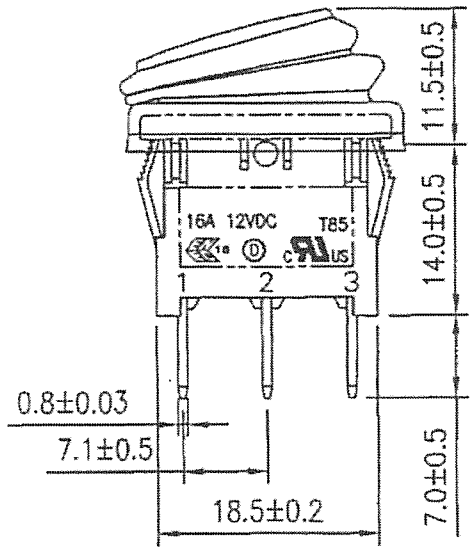
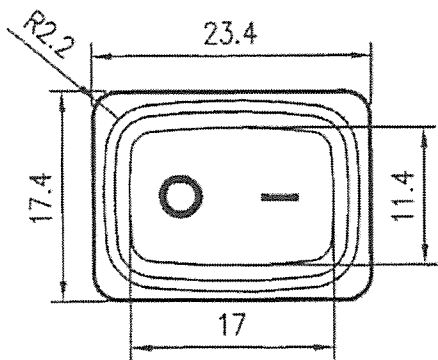


THIS INFORMATION IS CONFIDENTIAL AND PROPRIETARY TO CW INDUSTRIES INCORPORATED AND ITS AFFILIATES. IT MAY NOT BE DISCLOSED TO ANYONE, OTHER THAN CW INDUSTRIES PERSONNEL, WITHOUT WRITTEN AUTHORIZATION FROM CW INDUSTRIES INCORPORATED, SOUTHAMPTON, PENNSYLVANIA USA.

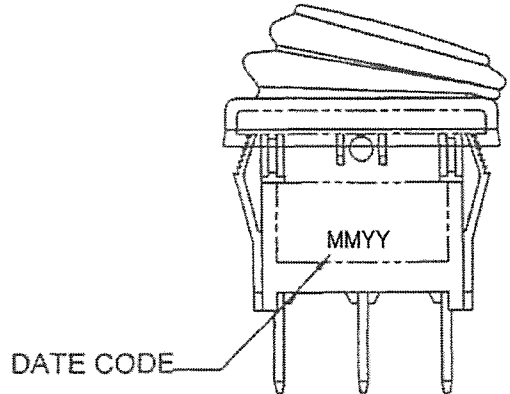
Ratings	16A 12VDC		Mounting Hole	Circuit Diagram									
Contact Resistance	50m ohm Max.												
Insulation Resistance	DC 500V 100M ohm Min.												
Dielectric Strength	AC 1500V 1 minute		<table border="1"> <tr> <th>Thickness</th> <th>X</th> <th>Y</th> </tr> <tr> <td>0.75...1.5</td> <td>19.4 - 0.1</td> <td>13 + 0.1</td> </tr> <tr> <td>1.5.....2.5</td> <td>19.8 - 0.1</td> <td>13 + 0.1</td> </tr> </table>	Thickness	X	Y	0.75...1.5	19.4 - 0.1	13 + 0.1	1.5.....2.5	19.8 - 0.1	13 + 0.1	
Thickness	X	Y											
0.75...1.5	19.4 - 0.1	13 + 0.1											
1.5.....2.5	19.8 - 0.1	13 + 0.1											
Operation Temperature	- 25 ° C ~ 85 ° C												
Switch Function	3P SPST ON - OFF (Dependent)												
Lamp Type	RED 12V LED w/Resistor												



MATERIAL:

- Frame: Black, Nylon 66 (94-V2)
- Actuator: Red, PC Clear (94-V2)
- Waterproof Rubber: Silicone, Black
- Terminals: Silver plated, Copper alloy
- Hot Stamping: White
- Waterproof: IP65
- LED: Red

Tolerance +/-0.3 Unless Otherwise Specified.



Order Chart							
Series	Terminal Type	Actuator Color	Voltage	Function	Frame Color	Lamp Type	Printing
GRB066	B8	02	B	R	72	L	1

R13-66B8-02 (R13-66B8-02-BR-72-L-1)

1 | Removed CW logo. APhilip 11/28/22

CW INDUSTRIES
Southampton, Pa. 18966
Tel 215.355.7080/www.cwind.com

Date Drawn: 10/30/17

Rev. 1

Unit: mm

Checked By: *G. GOLD*

Title: **ROCKER SWITCH**

CW P/N: **GRB066B802BR72L1**