
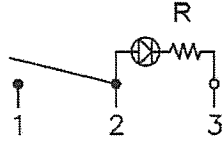
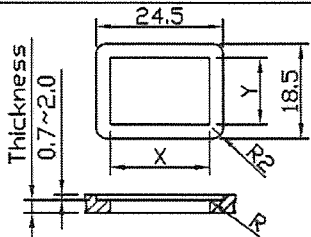
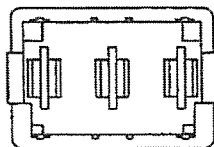
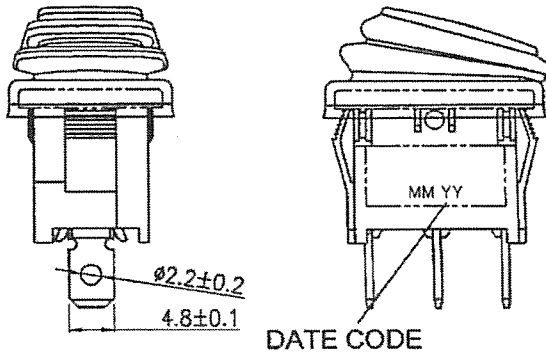
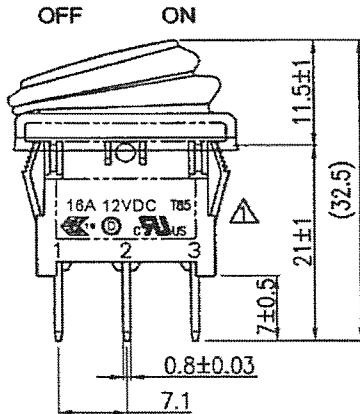
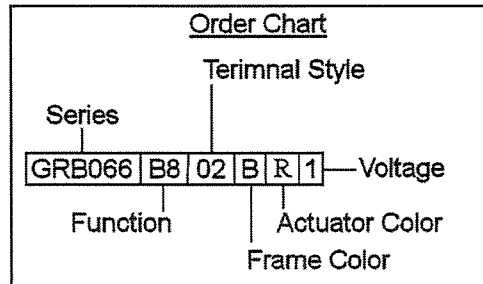
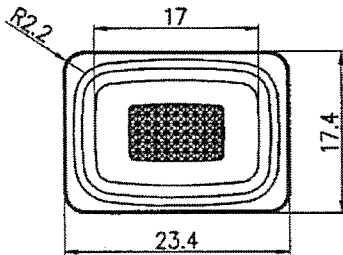


THIS INFORMATION IS CONFIDENTIAL AND PROPRIETARY TO CW INDUSTRIES INCORPORATED AND ITS AFFILIATES. IT MAY NOT BE DISCLOSED TO ANYONE, OTHER THAN CW INDUSTRIES PERSONNEL, WITHOUT WRITTEN AUTHORIZATION FROM CW INDUSTRIES INCORPORATED, SOUTHAMPTON, PENNSYLVANIA USA.

Rating	16A 12VDC		Mounting Hole								
Contact Resistance	50m ohm Max.										
Insulation Resistance	DC 500V 100M ohm Min.										
Dielectric Strength	AC 1500V 1 minute										
Operation Temperature	-25°C~85°C										
Switch Function	3P SPST ON - OFF LED Dependent										
Lamp Type	Red LED with Resistor	<table border="1"> <tr> <td>Thickness</td> <td>X</td> <td>Y</td> </tr> <tr> <td>0.75....1.5</td> <td>19.4-0.1</td> <td>13+0.1</td> </tr> <tr> <td>1.5....2.5</td> <td>19.8-0.1</td> <td>13+0.1</td> </tr> </table>	Thickness	X	Y	0.75....1.5	19.4-0.1	13+0.1	1.5....2.5	19.8-0.1	13+0.1
Thickness	X	Y									
0.75....1.5	19.4-0.1	13+0.1									
1.5....2.5	19.8-0.1	13+0.1									

Material:

Frame: Nylon 66 (94-V2), Black
 Actuator: PC clear (94-V2), Red
 Waterproof Rubber: Silicone, Black
 Terminals: Silver plated, Copper alloy
 Hot stamping: None
 Waterproof: IP65
 LED: Red



Tolerances ±0.3 Unless Otherwise Specified
 RoHS Compliant
 R13-66B8-02

4	Removed CW logo, Added order chart and SCI part number. APhilip 11/28/22
3	Updated ratings to 16A 12VDC. Removed 12V sticker. 1/5/15.
2	Updated ratings & views. 3-01-13.

CW INDUSTRIES
 Southampton, Pa. 18966
 Tel 215.355.7080/www.cwind.com

Date Drawn: 5/17/10

Rev. 4

Unit: mm

Checked By: *G. GULD*

Title:

ROCKER SWITCH

CW P/N:

GRB066B802BR1