

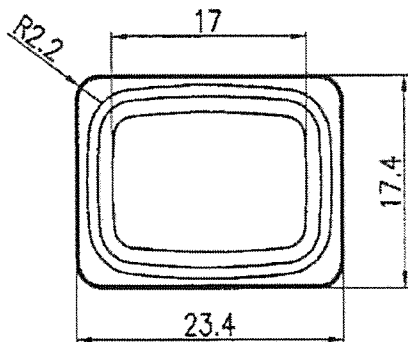
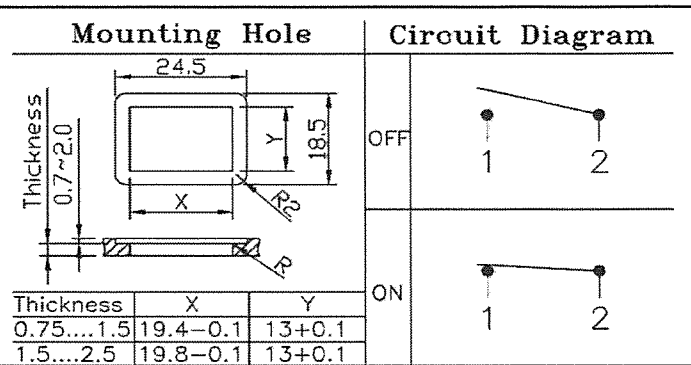
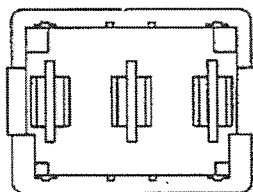
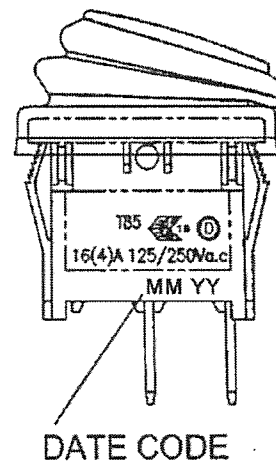
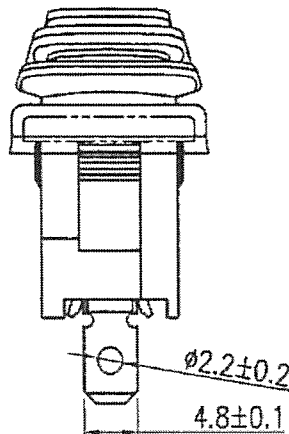
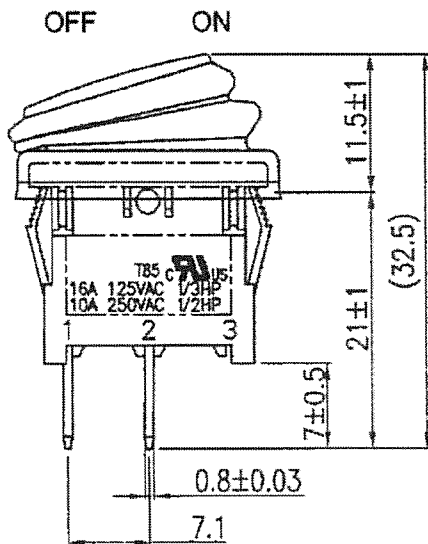


THIS INFORMATION IS CONFIDENTIAL AND PROPRIETARY TO CW INDUSTRIES INCORPORATED AND ITS AFFILIATES. IT MAY NOT BE DISCLOSED TO ANYONE, OTHER THAN CW INDUSTRIES PERSONNEL, WITHOUT WRITTEN AUTHORIZATION FROM CW INDUSTRIES INCORPORATED, SOUTHAMPTON, PENNSYLVANIA USA.

Rating	16A 125V AC 1/3 HP 10A 250V AC 1/2 HP 16A. 12VDC 6A. 28VDC	 
	16(4)A 125/250V AC 20A 12V DC	
Contact Resistance	50m ohm Max.	
Insulation Resistance	DC 500V 100M ohm Min.	
Dielectric Strength	AC 1500V 1 minute	
Operation Temp.	- 25 °C ~ 85 °C	
Switch Function	2P SPST ON-OFF	



**Material:**  
 Frame: Black, Nylon 66(94-V2)  
 Actuator: Black, PC(94-V2)  
 Waterproof Rubber: Black, Silicone  
 Terminals: Silver plated, Copper alloy  
 Hot stamping: None  
 Waterproof: IP65



Order Chart						
Series	Terminal Type	Actuator Color	Voltage			
GRB066	A8	02 B B	1			
Function		Frame Color				

Tolerances ±0.3 Unless Otherwise Specified

RoHS Compliant  
R13-66A8-02

4	Removed CW logo, added order chart and SCI part number. APhilip 11/28/22
3	Updated ratings and views. 2-21-13.

**CW INDUSTRIES**  
 Southampton, Pa. 18966  
 Tel 215.355.7080/www.cwind.com

Date Drawn: 10/02/09

Rev. 4

Unit: mm

Checked By: *G. GOLD*

Title: **ROCKER SWITCH**

CW P/N: **GRB066A802BB1**