

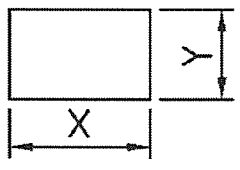
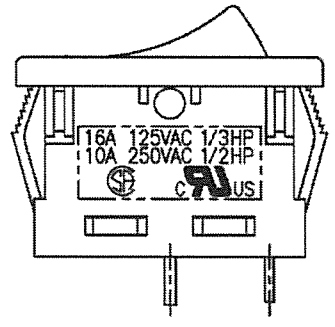
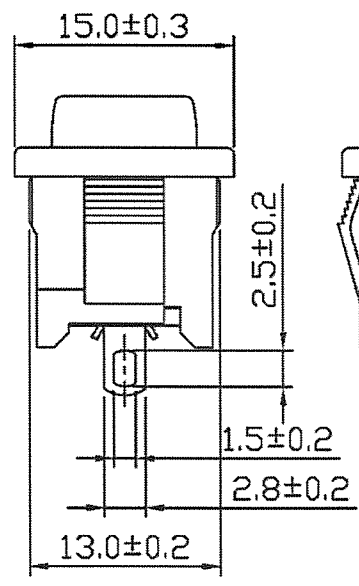
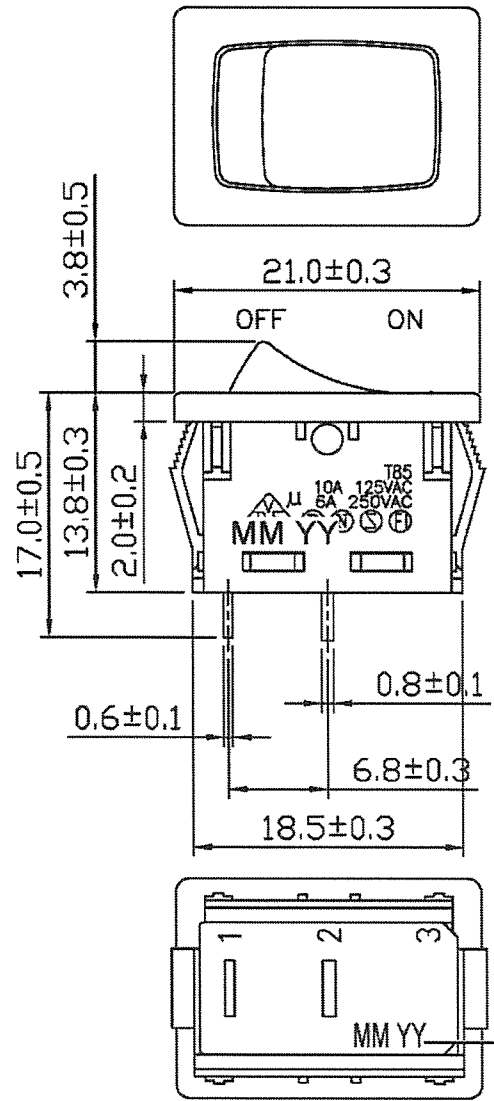
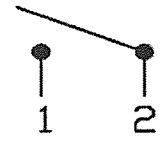


THIS INFORMATION IS CONFIDENTIAL AND PROPRIETARY TO CW INDUSTRIES INCORPORATED AND ITS AFFILIATES. IT MAY NOT BE DISCLOSED TO ANYONE, OTHER THAN CW INDUSTRIES PERSONNEL, WITHOUT WRITTEN AUTHORIZATION FROM CW INDUSTRIES INCORPORATED, SOUTHAMPTON, PENNSYLVANIA USA.

Rating	16A 125VAC 1/3HP 10A 250VAC 1/2HP		Mounting Hole		Circuit Diagram
	10A 125VAC 6A 250VAC				
Contact Resistance	30m ohm Max.			Thickness	X
Insulation Resistance	DC 500V 100M ohm Min.		0.75...1.25	19.2-0.1	13+0.1
Dielectric Strength	AC 2500V 1 minute		1.25...2	19.4-0.1	13+0.1
Operating Temperature	-20° C ~ 85° C		2...3	19.8-0.1	13+0.1
Switch Function	2P SPST ON - OFF				



MATERIAL:
 Frame: Black, Nylon # 66
 Actuator: Black, Nylon # 66
 Printed: None

ORDER CHART		
Switch Series	Terminal Style	
GRB066	A	05
		Function

R13-66A-05

1 | Removed CW logo and added date code. APhilip 11/28/22

CW INDUSTRIES
 Southampton, Pa. 18966
 Tel 215.355.7080/www.cwind.com

Date Drawn: 8/14/2018

Rev. 1

Unit: mm

Checked By: *G. GULD*

Title: **ROCKER SWITCH**

CW P/N: **GRB066A05**