
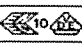
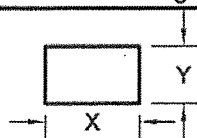

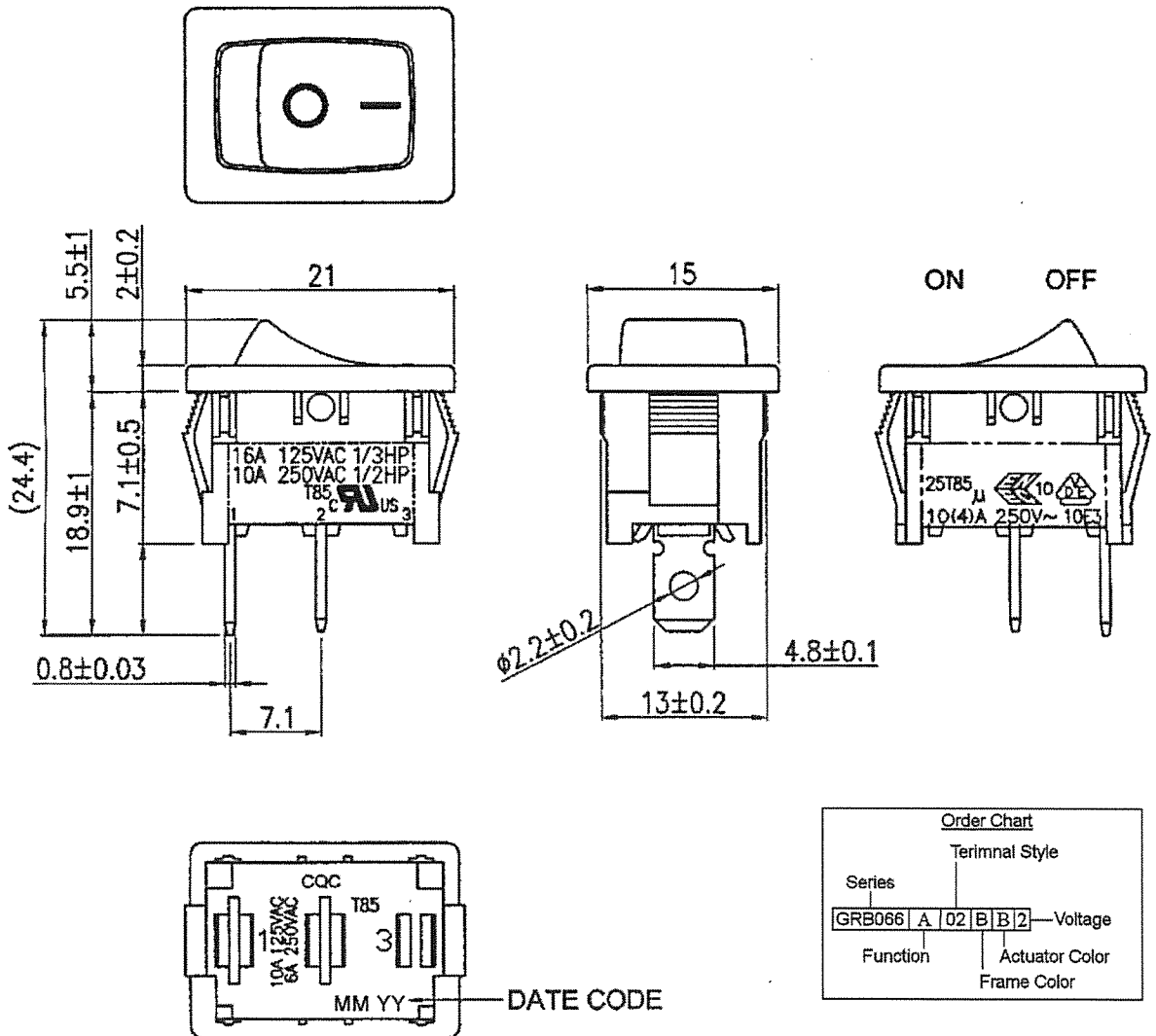


THIS INFORMATION IS CONFIDENTIAL AND PROPRIETARY TO CW INDUSTRIES INCORPORATED AND ITS AFFILIATES. IT MAY NOT BE DISCLOSED TO ANYONE, OTHER THAN CW INDUSTRIES PERSONNEL, WITHOUT WRITTEN AUTHORIZATION FROM CW INDUSTRIES INCORPORATED, SOUTHAMPTON, PENNSYLVANIA USA.

Rating	16A 125VAC 1/3HP	  CQC	Mounting Hole 	Circuit Diagram 
	10A 250VAC 1/2HP			
	10(4)A 250V ~			
	10A 125VAC 6A250VAC			
Contact Resistance	50m ohm max.			
Insulation Resistance	DC 500V 100M ohm min.			
Dielectric Strength	AC 1500V 1 minute			
Operating Temperature	-25°C ~ 85°C			
Switch Function	2P SPST ON - OFF			

Thickness	X	Y
0.75 - 1.25	19.2 - 0.1	13.0 + 0.1
1.25 - 2.00	19.4 - 0.1	13.0 + 0.1
2.00 - 3.00	19.8 - 0.1	13.0 + 0.1


BASE COLOR: Black  
 BUTTON COLOR: Black  
 PRINTED: White, hot stamping



Tolerances ±0.3 Unless Otherwise Specified

RoHS Compliant  
 R13-66A-02

- 2 Removed logo, added order chart and SCI part number APhilip 11/28/22
- 1 Updated ratings & views. 3-01-2013.

 <b>CW INDUSTRIES</b> Southampton, Pa. 18966 Tel 215.355.7080/www.cwind.com	Date Drawn: 12/22/09	Rev. 2	Unit: mm	Checked By: <i>G. GULD</i>
	Title: <b>ROCKER SWITCH</b>		CW P/N: <b>GRB066A02BB2</b>	