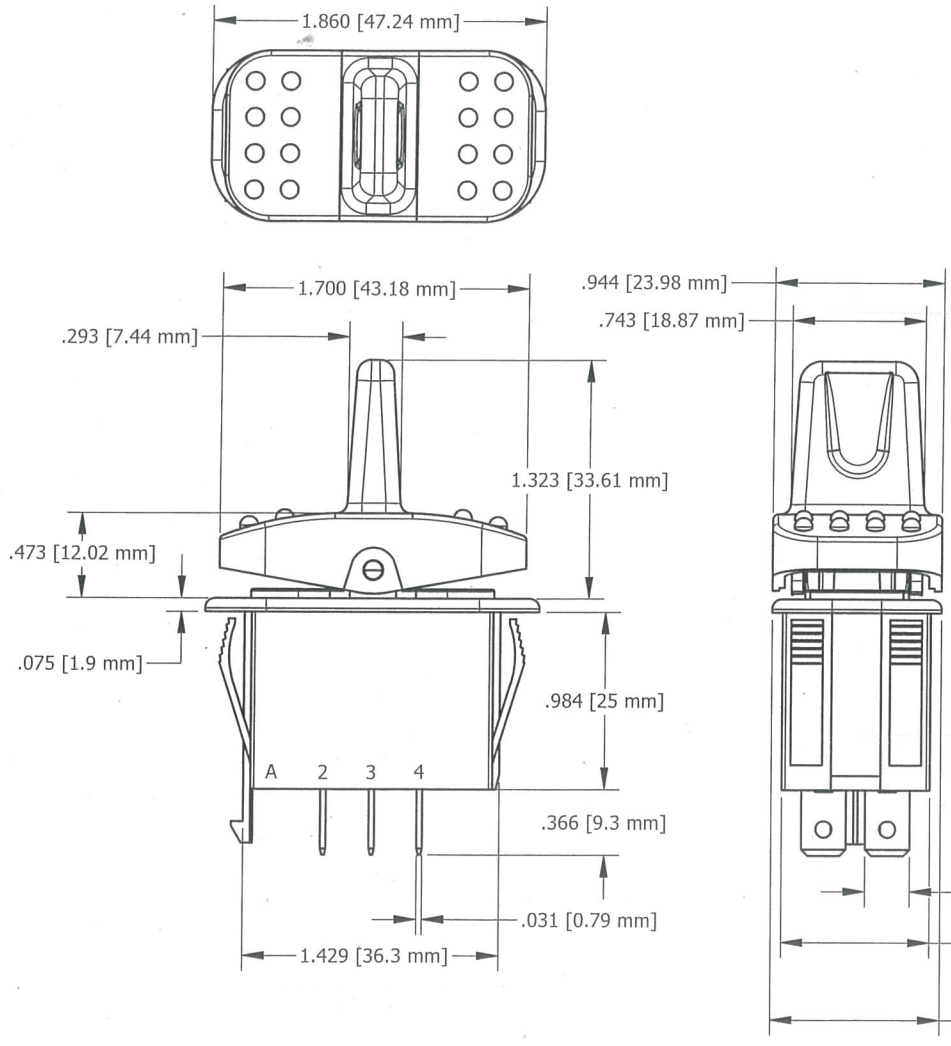


THIS INFORMATION IS CONFIDENTIAL AND PROPRIETARY TO CW INDUSTRIES INCORPORATED AND ITS AFFILIATES. IT MAY NOT BE DISCLOSED TO ANYONE OTHER THAN CW INDUSTRIES PERSONNEL, WITHOUT WRITTEN AUTHORIZATION FROM CW INDUSTRIES INCORPORATED, SOUTHAMPTON, PENNSYLVANIA USA

DIMENSIONS IN INCHES (MILLIMETERS)
DO NOT SCALE DRAWING

Dwg. No. **GRB-292-0000**

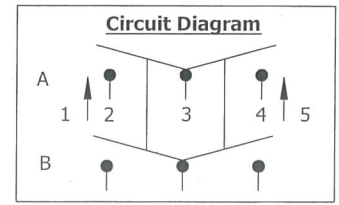
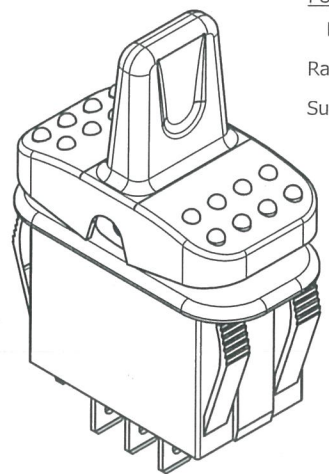
REVISIONS	NEW.	CH 8/25/19	DGW 8-21-19
	1	Redrawn. Removed Preliminary and added materials.	DGW 2/28/24
2	Redrawn. Added note. Suitable for applications up to 15A 30VDC.	DW 11/07/25	<i>Ch 11/7/25</i>



Thickness	Mounting Hole	
	"X"	"Y" (mm)
.030 ~ .049 (0.75 ~ 1.25)	.827 +.012 (21.0 +0.3)	1.441 +.004 (36.6 +0.1) -0 -0
.049 ~ .079 (1.25 ~ 2.0)	.827 -0	1.449 +.004 (36.8 +0.1) -0 -0
.079 ~ .118 (2.0 ~ 3.0)	.827 -0	1.457 +.004 (37.0 +0.1) -0 -0

MATERIALS:
 Frame: Nylon 6/6 (94-2), Black
 Actuator: Nylon 6/6, 25% Glass Filled, Black
 Terminal: Silver Plated Brass
 Ingress Protection: IP67

FUNCTION:
 DPDT (ON) - OFF - (ON)
 Rating: 10A 28VDC
 Suitable for applications up to 15A 30VDC.



CW INDUSTRIES Southampton, Pa. 18966
TOLERANCES UNLESS OTHERWISE SPECIFIED
2 Place Decimal ± .010 METRIC
3 Place Decimal ± .005 1 Place Dec. ± .25mm
Angles ± 1' 2 Place Dec. ± .13mm
Made for: CW IND.
Drawn by: DGW 8-21-19
Checked by: <i>G. Guld 11-7-25</i>
Approval: <i>[Signature]</i>

Title: TAB ROCKER SWITCH (ON)-OFF-(ON)
Division: SWITCH
Dwg. No. GRB-292-0000

MASTER