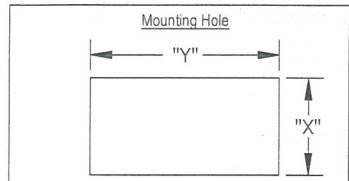
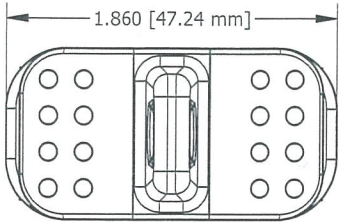


THIS INFORMATION IS CONFIDENTIAL AND PROPRIETARY TO CW INDUSTRIES, INCORPORATED AND ITS AFFILIATES. IT MAY NOT BE DISCLOSED TO ANYONE OTHER THAN CW INDUSTRIES PERSONNEL, WITHOUT WRITTEN AUTHORIZATION FROM CW INDUSTRIES, INCORPORATED, SOUTHAMPTON, PENNSYLVANIA USA.

DIMENSIONS IN INCHES (MILLIMETERS)
DO NOT SCALE DRAWING

Dwg. No. **GRB-292-0000**

REVISONS	NEW.	
	CH 8/25/19	DGW 8-21-19
1	Redrawn. Removed Preliminary and added materials. DGW 2/28/24 <i>CG 2/25/24</i>	



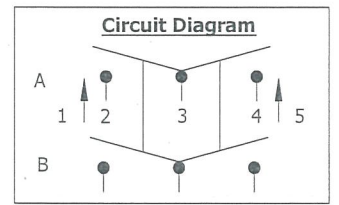
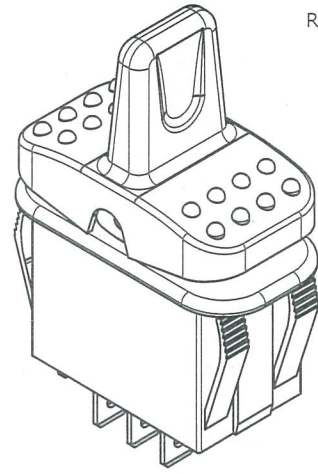
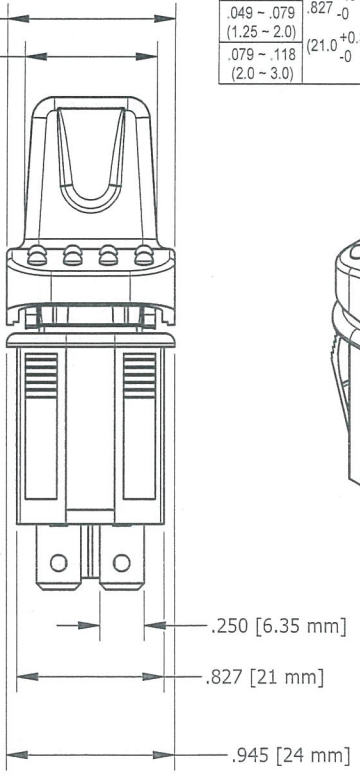
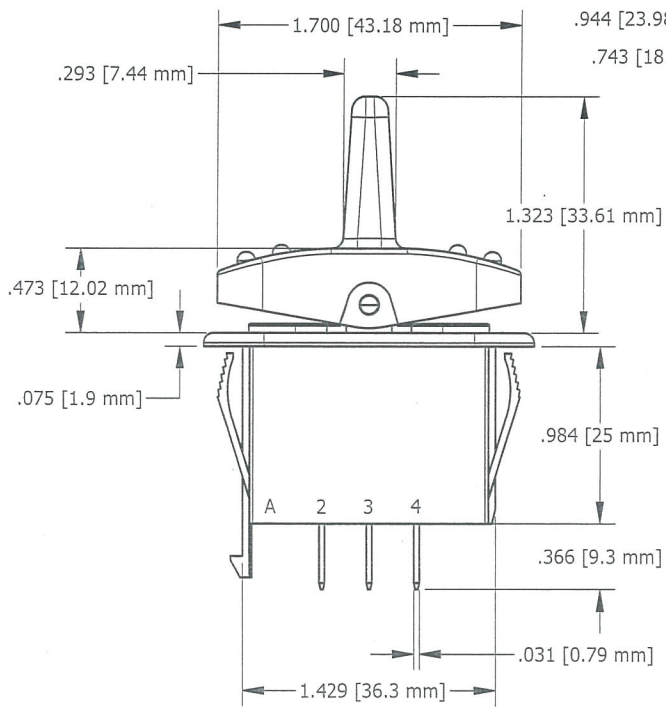
Thickness	* X *	* Y *	(mm)
.030 - .049 (0.75 - 1.25)	.827 +.012 -0	1.441 +.004 -0	(36.6 +0.1 -0)
.049 - .079 (1.25 - 2.0)	(21.0 +0.3 -0)	1.449 +.004 -0	(36.8 +0.1 -0)
.079 - .118 (2.0 - 3.0)		1.457 +.004 -0	(37.0 +0.1 -0)

MATERIALS:

Frame: Nylon 6/6 (94-2), Black
Actuator: Nylon 6/6, 25% Glass Filled, Black
Terminal: Silver Plated Brass
Ingress Protection: IP67

FUNCTION:

DPDT (ON) - OFF - (ON)
Rating: 10A 28VDC



CW INDUSTRIES Southampton, Pa. 18966	TOLERANCES UNLESS OTHERWISE SPECIFIED.	
	2 Place Decimal ± .010 3 Place Decimal ± .005 Angles ± 1'	METRIC 1 Place Dec. ± .25mm 2 Place Dec. ± .13mm
Made for: CW IND.	Division: SWITCH	
Drawn by: DGW 8-21-19	Checked by: <i>G. GULD 2-29-24</i>	
Approval: <i>CG 2/25/24</i>	Dwg. No. GRB-292-0000	

Title: **TAB
ROCKER
SWITCH
(ON)-OFF-(ON)**

F
E
D
C
B
A

1 2 3 4 5 6 7 8 9 10

MASTER