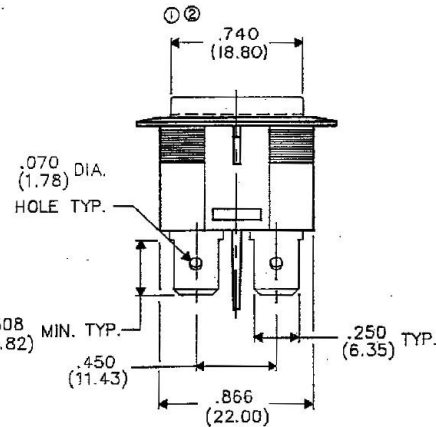
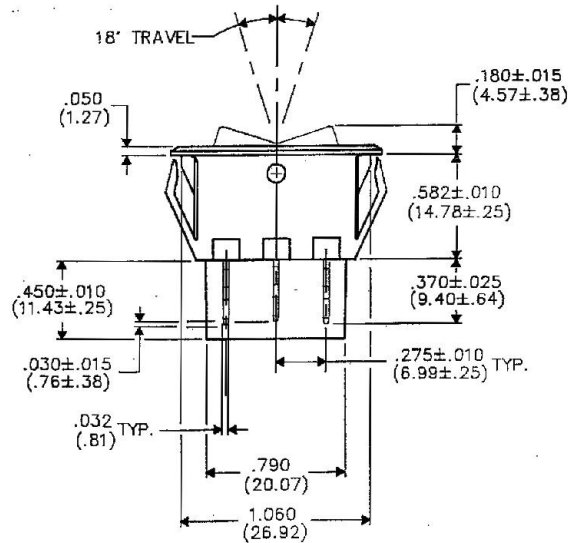
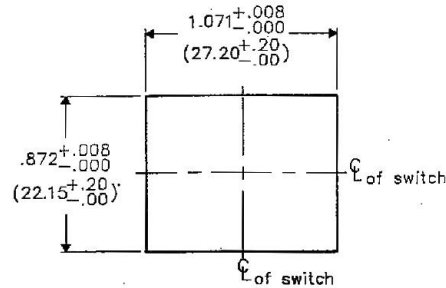
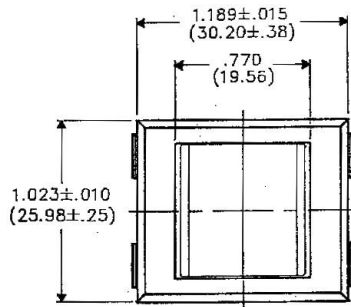
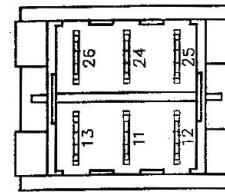


DIMENSIONS IN INCHES (MILLIMETERS)  
DO NOT SCALE DRAWING....

Drawing No.  
**GR-2023B-0000**



**BOTTOM VIEW**



REVISIONS	
0	RELEASED SPR 2-20-91
1	ADDED TOLERANCE SPR 3-12-91 MAR 12 1991
2	.740 WAS 750±.015 SPR 3-16-91 APR 5 1991
3	UPDATED TITLE DESCRIBING SWITCH POSITION. CGW 11-17-91 233K

**ATTENTION**  
THIS DRAWING AND ITS ATTACHMENTS, IF ANY, ARE PROPRIETARY TO CW INDUSTRIES AND DESCRIBE DESIGNS THAT ARE CONFIDENTIAL AND MUST NOT BE DISCLOSED UNLESS AUTHORIZED, IN WRITING, BY AN OFFICER OF CW INDUSTRIES.....



**CW INDUSTRIES**  
Southampton, Pa. 18966

TOOLERANCES UNLESS OTHERWISE SPECIFIED:  
2 Place decimal ±.010 METRIC  
3 Place decimal ±.005 | 1 Place dec. ± .25 MM  
Angles ..... 1° | 2 Place dec. ±.13 MM

Made for: CW IND.  
Drawn by: SPR 2-20-91  
Checked by: *BSK* 2-27-91  
Approval: *793K* 2-27-91

Title  
**ROCKER SWITCH  
D.P.- D.T.-C.O.  
ON-OFF-MOM**

Division  
**SWITCH**

Drawing No.  
**GR-2023B-0000**

B-FORM-0