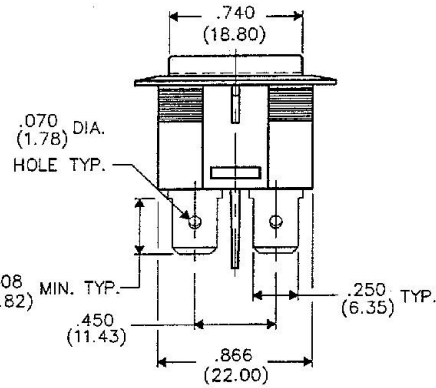
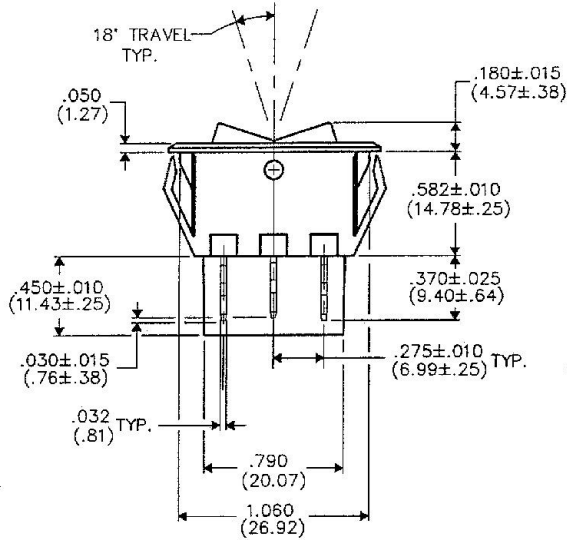
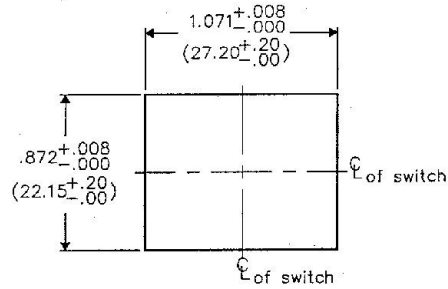
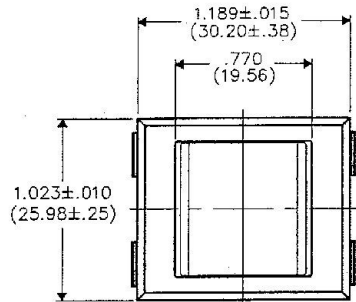
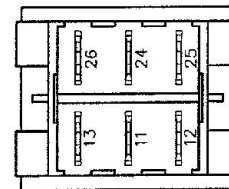


DIMENSIONS IN INCHES (MILLIMETERS)  
DO NOT SCALE DRAWING .....

Dwg. No.  
**GR-2023A-0003**



**BOTTOM VIEW**



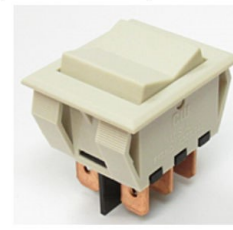
FORM-B4

**REVISIONS**

0	
1	REVISED

RELEASED: 10-10-2006  
DWG 10-10-2006  
BY: G. Guld 10-26-06

**ATTENTION**  
THIS DRAWING AND ITS ATTACHMENTS, IF ANY, ARE PROPRIETARY TO CW INDUSTRIES AND DESCRIBE DESIGNS THAT ARE CONFIDENTIAL AND MUST NOT BE DISCLOSED UNLESS AUTHORIZED, IN WRITING, BY AN OFFICER OF CW INDUSTRIES.....



PDF File Made

**CW INDUSTRIES**  
Southampton, Pa. 18966

TOLERANCES UNLESS OTHERWISE SPECIFIED	
2 Place Decimal ±.010	METRIC
3 Place Decimal ±.005	1 Place Dec. ±.25mm
Angles ..... ±1°	2 Place Dec. ±.13mm

Made for: CW IND.  
Drawn by: DGW 10-10-2006  
Checked by: G. Guld 10-26-06  
Approval: B. Guld 10-26-06

Title:  
**ROCKER SWITCH**  
D.P.- D.T.- C.O.  
ON-OFF-ON

Division: SWITCH  
Dwg. No. GR-2023A-0003