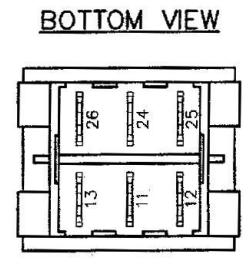
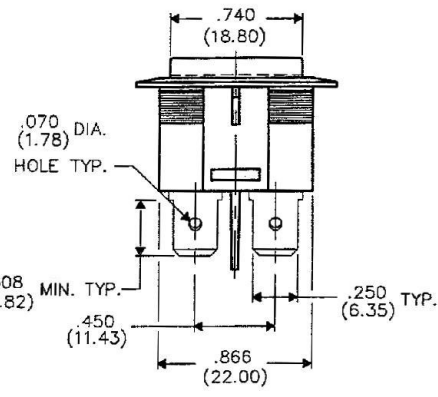
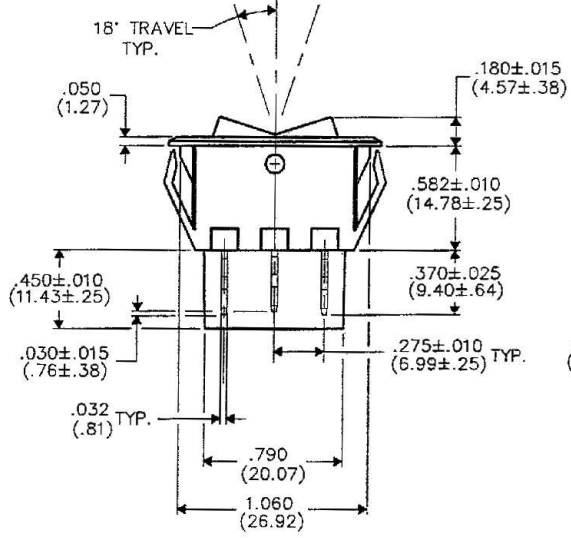
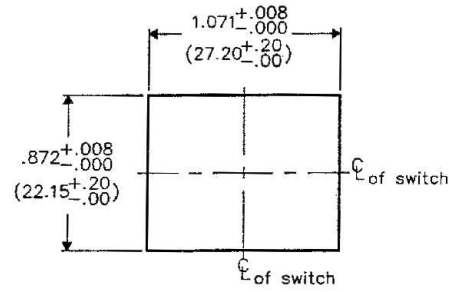
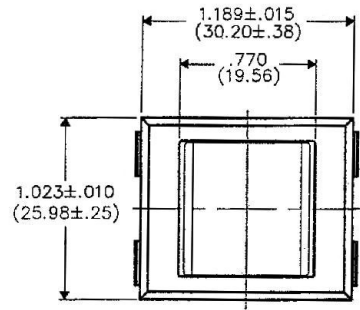


DIMENSIONS IN INCHES (MILLIMETERS)  
DO NOT SCALE DRAWING .....

Dwg. No.  
**GR-2023A-0002**



**ATTENTION**  
THIS DRAWING AND ITS ATTACHMENTS, IF ANY, ARE PROPRIETARY TO CW INDUSTRIES AND DESCRIBE DESIGNS THAT ARE CONFIDENTIAL AND MUST NOT BE DISCLOSED UNLESS AUTHORIZED, IN WRITING, BY AN OFFICER OF CW INDUSTRIES.....



<b>CW INDUSTRIES</b> Southampton, Pa. 18966	
TOLERANCES UNLESS OTHERWISE SPECIFIED	
2 Place Decimal ±.010	METRIC
3 Place Decimal ±.005	1 Place Dec. ±.25mm
Angles ..... ±1°	2 Place Dec. ±.13mm
Made for: CW IND.	
Drawn by: DGW 8-23-2006	
Checked by: <i>G. Guld 9-15-06</i>	
Approval: <i>B.F. Lagan 9-19-06</i>	

Title: <b>ROCKER SWITCH D.P.- D.T.- C.O. ON-OFF-ON</b>
Division: <b>SWITCH</b>
Dwg. No. <b>GR-2023A-0002</b>

FORM-B4
REVISIONS
0
RELEASED: DCW 8-23-2006
SEP 20 2006