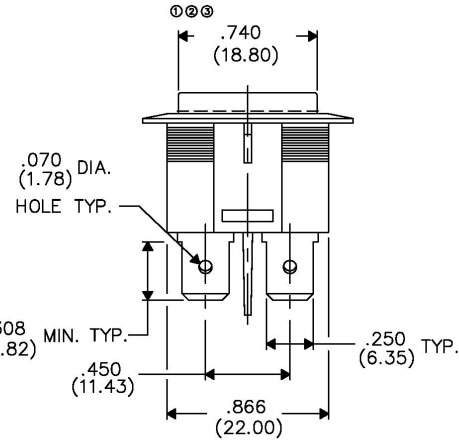
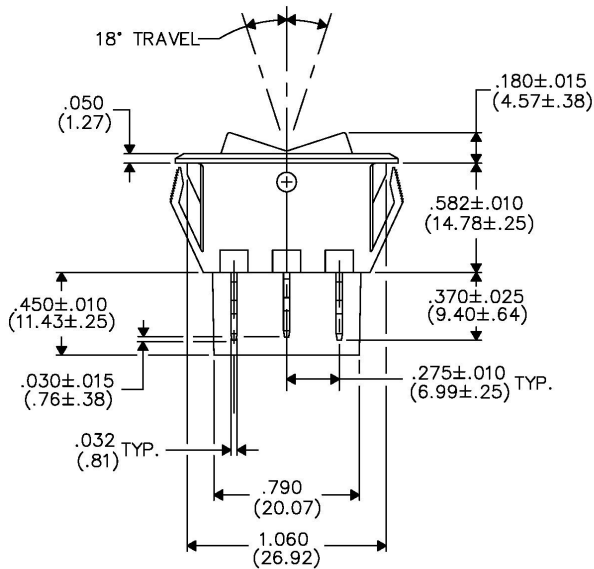
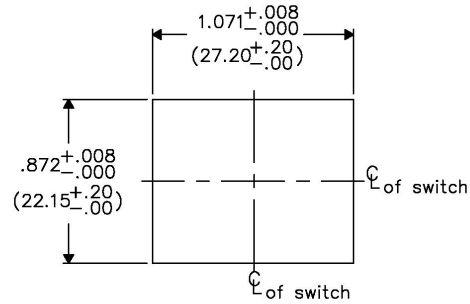
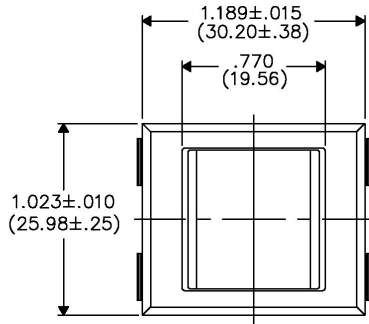
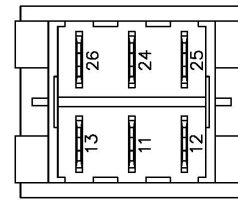


DIMENSIONS IN INCHES (MILLIMETERS)
DO NOT SCALE DRAWING

Dwg. No.
GR-2023A-0000



BOTTOM VIEW



MATERIAL:

ROCKER KNOB: NYLON 6/6 94V-2
HOUSING: NYLON 6/6 94V-2
TERMINAL BOARD: NYLON 6/6 94V-2
TERMINALS / MOVING CONTACTS: COPPER ALLOY
SPRING: MUSIC WIRE
PLUNGER: BRASS

FORM-B4	REVISIONS
0	RELEASED. SPR 1-9-91 RBK JAN 10 1991
1	.750 WAS .740 SPR 2-21-91 RBK FEB 27 1991
2	ADDED TOLERANCE SPR 3-12-91 RBK 3-12-91
3	.740 WAS .750±.005. -.015 SPR 3-16-93 GG 4-05-93
4	UPDATED TITLE DESCRIBING SWITCH FUNCTION. DGW 11-17-93 RBK Nov. 17, 1993

ATTENTION
THIS DRAWING AND ITS ATTACHMENTS, IF ANY, ARE PROPRIETARY TO CW INDUSTRIES AND DESCRIBE DESIGNS THAT ARE CONFIDENTIAL AND MUST NOT BE DISCLOSED UNLESS AUTHORIZED, IN WRITING, BY AN OFFICER OF CW INDUSTRIES.....



PDF File Made	CW INDUSTRIES Southampton, Pa. 18966	Title: ROCKER SWITCH D.P.- D.T.- C.O. ON-OFF-ON
	TOLERANCES UNLESS OTHERWISE SPECIFIED	
	2 Place Decimal ±.010 3 Place Decimal ±.005 Angles ±1°	METRIC 1 Place Dec. ±.25mm 2 Place Dec. ±.13mm
	Made for: CW IND.	Division: SWITCH
Drawn by: SPR 1-9-91	Checked by: RBK 1-9-91	Dwg. No. GR-2023A-0000
Approval: RBK 1-9-91		