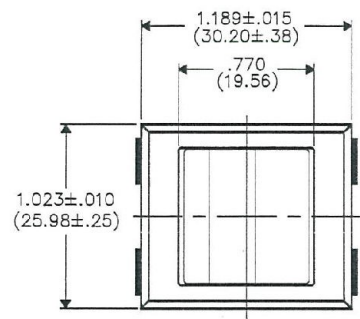


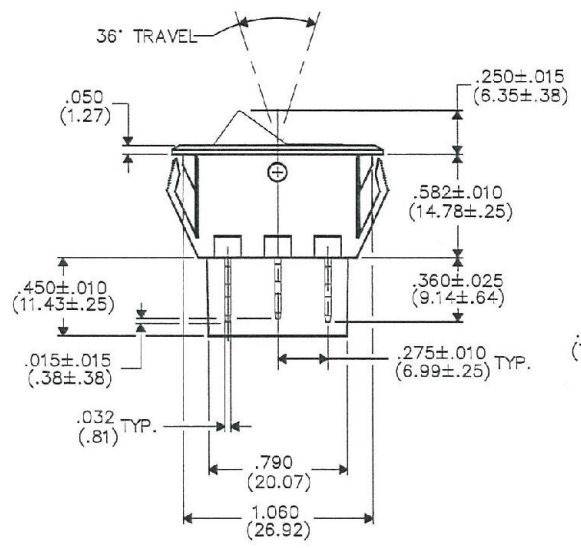
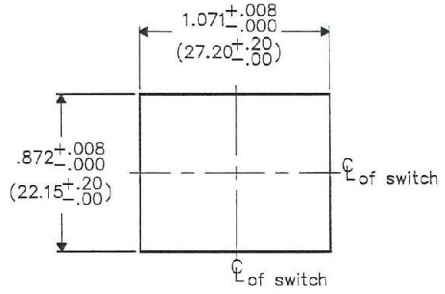
F
 D
 C
 B
 A

DIMENSIONS IN INCHES (MILLIMETERS)
DO NOT SCALE DRAWING

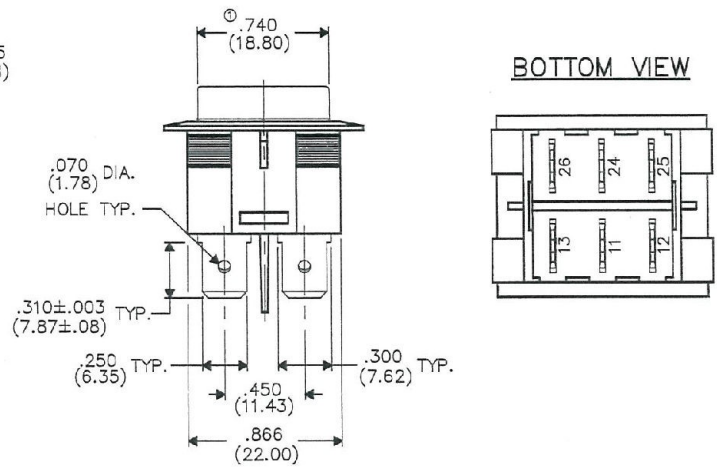
Dwg. No.
GR-2022A-0000



PANEL PIERCING



BOTTOM VIEW



E-FORMAT 2002									
REVISIONS									
0	RELEASED. SPR 1-19-93 RBK JAN. 21, 1993								
1	.740 WAS .750. SPR 3-16-93								
2	CG APR. 5, 1993 Re-print for clarity. DGM 6/15/20 <i>[Signature]</i>								
							CW INDUSTRIES Southampton, Pa. 18966 TOLERANCES UNLESS OTHERWISE SPECIFIED 2 Place Decimal ±.010 METRIC 3 Place Decimal ±.005 1 Place Dec. ±.25mm Angles ±1' 2 Place Dec. ±.13mm		
PDF FILE MADE							Title: SWITCH ASSEMBLY D.P.-D.T. MOMENTARY Division: SWITCH		
Made for: CW IND.							Dwg. No. GR-2022A-0000		
Drawn by: SPR 1-19-93							Approval: <i>[Signature]</i> 6/16/93		
Checked by: <i>G. Guld</i> 6-15-20									

MASTER