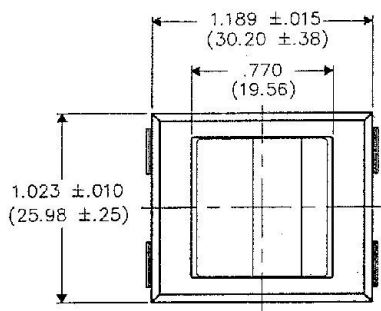


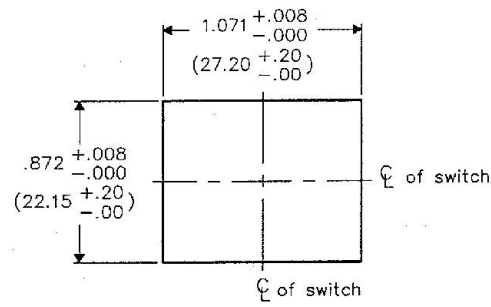
DIMENSIONS IN INCHES (MILLIMETERS)  
DO NOT SCALE DRAWING .....

Dwg. No.  
**GR-2022-1600**

E  
D  
C  
B  
A



**PANEL PIERCING**

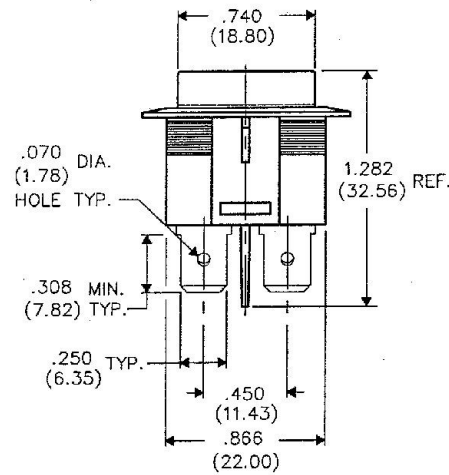
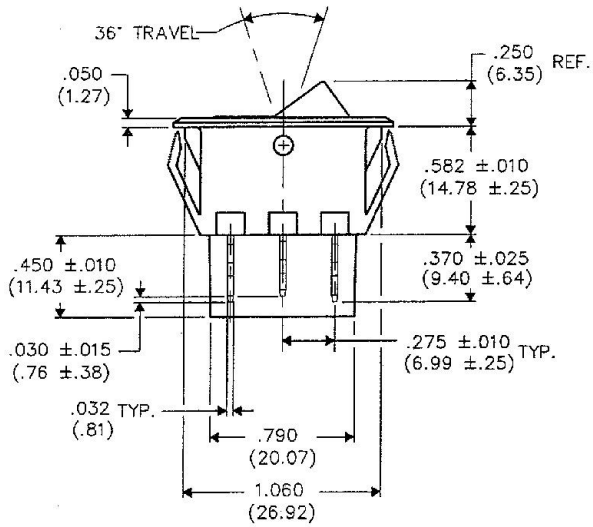
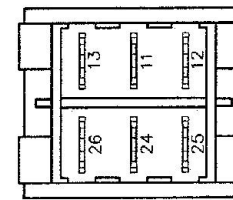


**NOTES:**

- 1.) With rocker in position shown, Circuits are completed between terminals 11 and 12 on pole 1, and terminal 24 and 25 on pole 2.

**BOTTOM VIEW**

SEE NOTE 1



1 2 3 4 5 6 7 8 9 10

FORM-B4  
**REVISIONS**  
0  
RELEASED: DGW 10-26-2006  
27

**ATTENTION**  
THIS DRAWING AND ITS ATTACHMENTS, IF ANY, ARE PROPRIETARY TO CW INDUSTRIES AND DESCRIBE DESIGNS THAT ARE CONFIDENTIAL AND MUST NOT BE DISCLOSED UNLESS AUTHORIZED, IN WRITING, BY AN OFFICER OF CW INDUSTRIES.....



**CW INDUSTRIES**  
Southampton, Pa. 18966  
TOLERANCES UNLESS OTHERWISE SPECIFIED  
2 Place Decimal ±.010 METRIC  
3 Place Decimal ±.005 1 Place Dec. ±.25mm  
Angles ..... ±1' 2 Place Dec. ±.13mm  
Made for: CW IND.  
Drawn by: DGW 10-26-2006  
Checked by: EGuld 10-26-06  
Approval: B. P. 10-20-06

Title: **POP-IN  
ROCKER SWITCH  
D.P.- D.T.**  
Division: **SWITCH**  
Dwg. No. **GR-2022-1600**