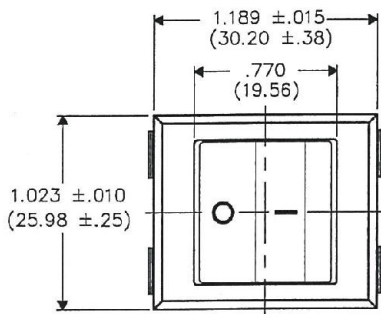
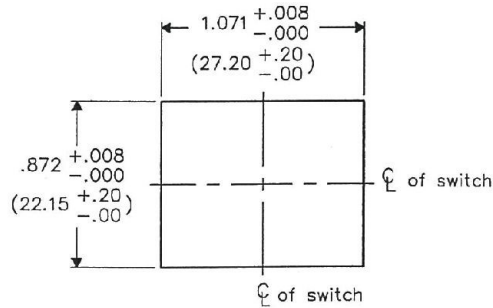


DIMENSIONS IN INCHES (MILLIMETERS)  
DO NOT SCALE DRAWING

Dwg. No. **GR-2022-0007**

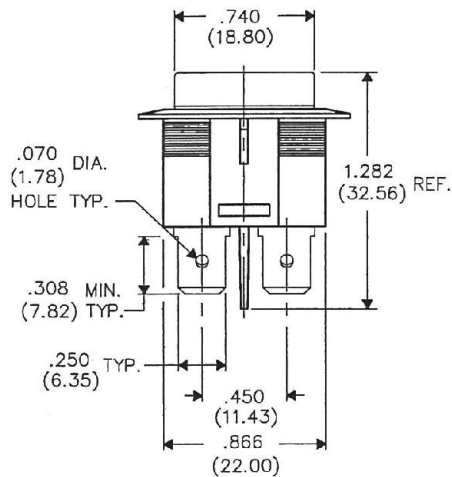
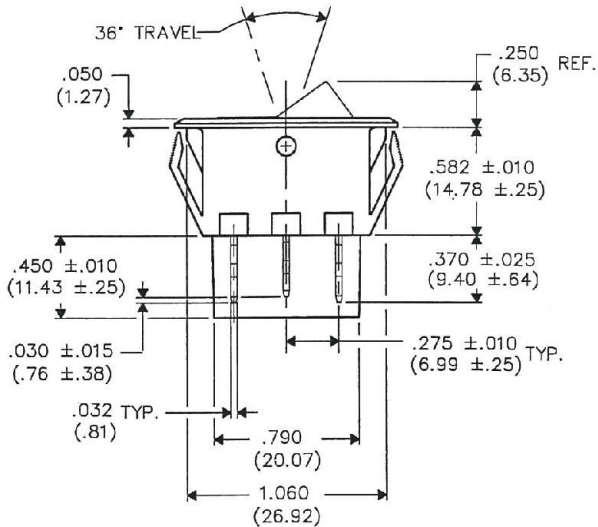


**PANEL PIERCING**

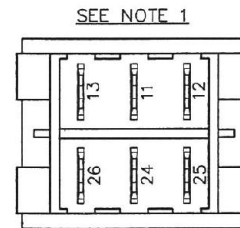


**NOTES:**

- 1.) With rocker in position shown, Circuits are completed between terminals 11 and 12 on pole 1, and terminal 24 and 25 on pole 2.



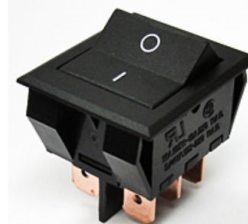
**BOTTOM VIEW**



REVISIONS

0  
RELEASED  
DOW 8-03-94  
GUL

**ATTENTION**  
THIS DRAWING AND ITS ATTACHMENTS, IF ANY, ARE PROPRIETARY TO CW INDUSTRIES AND DESCRIBE DESIGNS THAT ARE CONFIDENTIAL AND MUST NOT BE DISCLOSED UNLESS AUTHORIZED, IN WRITING, BY AN OFFICER OF CW INDUSTRIES.



**CW INDUSTRIES**  
Southampton, Pa. 18966

TOLERANCES UNLESS OTHERWISE SPECIFIED

2 Place decimal ±.010 METRIC:  
3 Place decimal ±.005 1 Place dec. ±.25mm  
Angles ± 1° 2 Place dec. ±.13mm

Made for: CW IND.  
Drawn by: DOW 8-03-94  
Checked by: G. GUL 8-8-94  
Approval: SRB 8-8-94

Title: **ROCKER SWITCH ASSEMBLY "POP IN" D.P. - D.T.**

Division: **SWITCH**

Dwg. No. **GR-2022-0007**

PDF File Made