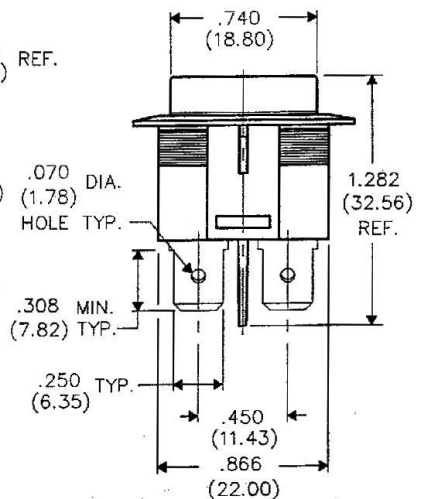
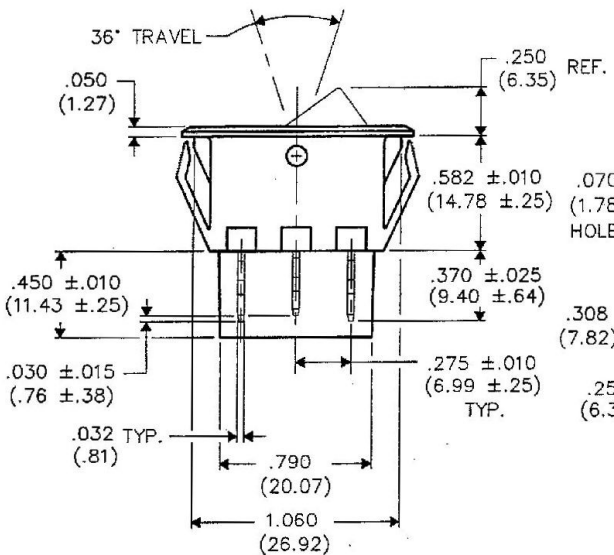
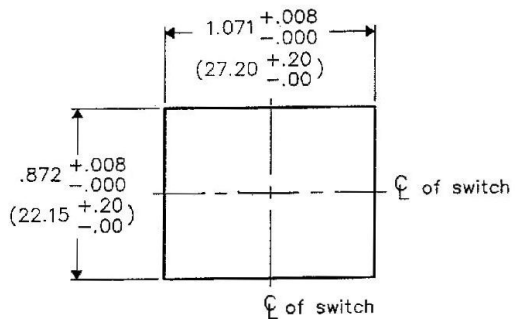
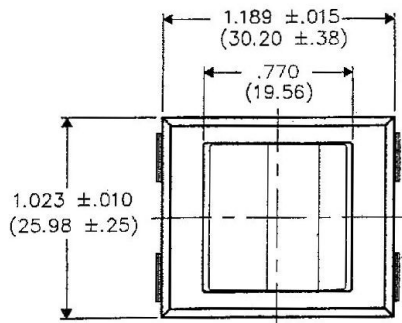


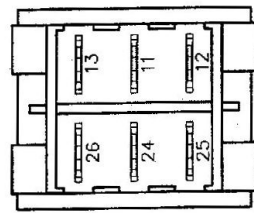
DIMENSIONS IN INCHES (MILLIMETERS)
DO NOT SCALE DRAWING

Dwg. No.
GR-2022-0000

PANEL PIERCING



BOTTOM VIEW
SEE NOTE 1



NOTES: 1.) With rocker in position shown, Circuits are completed between terminals 11 and 12 on pole 1, and terminal 24 and 25 on pole 2.

ELECTRICAL RATINGS:			ROCKER SWITCH	
TYPE	CIRCUIT	RATING	UL & CSA	VDE
GR-2022-8	DPDT	BA 125V AC	Approved	N.A.
		4A 250V AC		
GR-2022-13	DPDT	13A 125V AC	Approved	N.A.
		10A 150V AC		
		1/2 H.P. 125-250V AC		
		6A 125V L		
GR-2022-16	DPDT	5A 14V T	Approved	Approved
		16A 125V AC		
		12A 250V AC		
		3/4 H.P. 125-250V AC		
		10A 14V T		12 (6) 250V AC

MATERIALS:
BUTTON- Nylon 94V-2, Black is standard. Other colors are available; consult factory.
HOUSING- Nylon 94V-2, Black is standard. Other colors are available; consult factory.
TERMINAL BOARD- 94V-0, Glass filled nylon. Black is standard.
TERMINAL & MOVING CONTACT- Copper alloy and/or Silver Plated Copper alloy.
TERMINAL SHAPE- Standard as shown, conforms to NEMA DC2-1982 and UL 310 for Quick Connect Terminals.
 Some mating Connectors are:

TYPE	ARK-LES	AMP	ETCO
Insulation Support	3000H9AB	42460-2	D262HB
Non-Insulation Support	3000H9AB	42543-3	D250HB

MOUNTING:
 Mount into a Panel Cut Out as shown. Panel Thickness Range is from .025" (.64mm) to .150" (3.81mm). **CAUTION** Burr direction must be away from the direction of insertion.

OPERATIONAL STANDARDS:
 Endurance- 100,000 cycles minimum, no load
 25,000 cycles at minimum, at rated load.
 Temperature- 65° C Maximum, for continuous operation.
 High Voltage- 2,500 V, 60Hz for one minute, between mounting surface and circuit connections.
 Contact Resistance- less than .01 ohm at .01 amp (initial)
 Relative Humidity- Insulation resistance > 10⁹ Megohms after 100 hours at 95% R.H. and 50° C followed by 1 hour dry at room ambient.

FORM-B4
REVISIONS
 5
 REDRAWN IN NEW FORMAT
 REMOVED OPTIONAL BARRIER
 DGW 8-02-2006
 AUG 21 2006

ATTENTION
 THIS DRAWING AND ITS ATTACHMENTS, IF ANY, ARE PROPRIETARY TO CW INDUSTRIES AND DESCRIBE DESIGNS THAT ARE CONFIDENTIAL AND MUST NOT BE DISCLOSED UNLESS AUTHORIZED, IN WRITING, BY AN OFFICER OF CW INDUSTRIES



CW INDUSTRIES Southampton, Pa. 18966
TOLERANCES UNLESS OTHERWISE SPECIFIED:
 2 Place Decimal ±.010 METRIC
 3 Place Decimal ±.005 1 Place Dec. ±.25mm
 Angles ±1° 2 Place Dec. ±.13mm

Made for: CW IND.
 Drawn by: DGW 8-02-2006
 Checked by: G. Gold 8/21/06
 Approval: G. R. Johnson 8/21/06

Title: ROCKER SWITCH ASSEMBLY "POP IN" D.P. - D.T.
 Division: SWITCH
 Dwg. No. GR-2022-0000