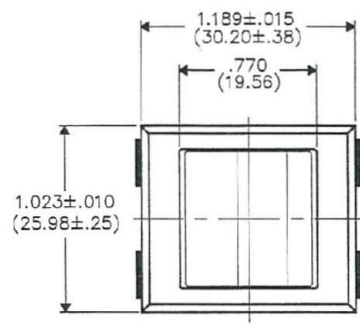


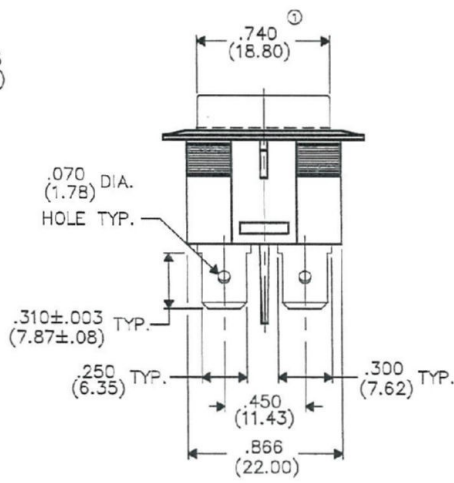
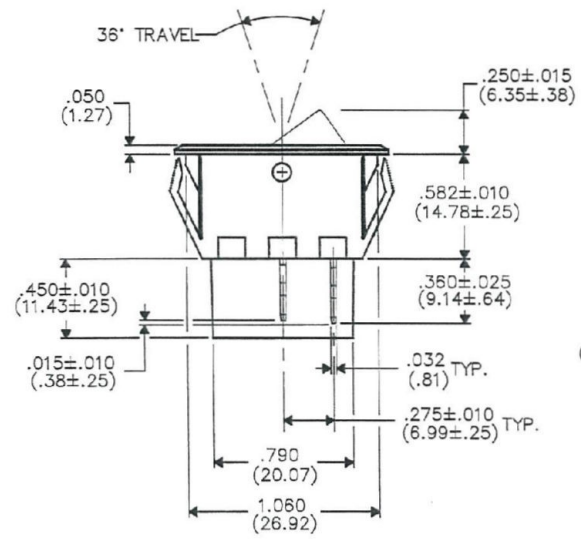
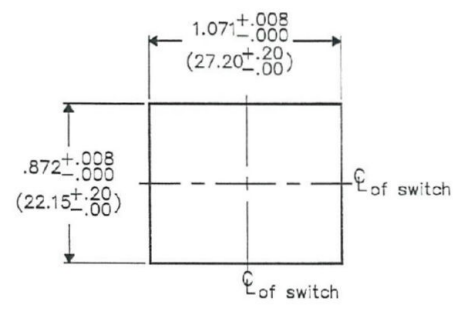
F
D
C
B
A

THIS INFORMATION IS CONFIDENTIAL AND PROPRIETARY TO CW INDUSTRIES INCORPORATED AND ITS AFFILIATES. IT MAY NOT BE DISCLOSED TO ANYONE, OTHER THAN CW INDUSTRIES PERSONNEL, WITHOUT WRITTEN AUTHORIZATION FROM CW INDUSTRIES INCORPORATED, SOUTHAMPTON, PENNSYLVANIA USA.

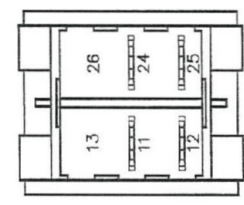
DIMENSIONS IN INCHES (MILLIMETERS)
DO NOT SCALE DRAWING
Dwg. No. GR-2021C-0000



PANEL PIERCING



BOTTOM VIEW



1 2 3 4 5 6 7 8 9 10

B-FORMAT 2002

REVISIONS

0	RELEASED SPR 1-19-93 RBK JAN. 21, 1993
1	.740 WAS .750 SPR 3-16-93 GG APR. 5, 1993
2	Re-print for clarity. DWG 6/15/20 Cg



PDF FILE MADE	CW INDUSTRIES Southampton, Pa. 18966	Title: SWITCH ASSEMBLY
	TOLERANCES UNLESS OTHERWISE SPECIFIED	D.P.-S.T. MOM.
	2 Place Decimal ±.010 METRIC 3 Place Decimal ±.005 1 Place Dec. ±.25mm Angles ±1' 2 Place Dec. ±.13mm	NORMALLY CLOSED
	Made for: CW IND.	Division: SWITCH
Drawn by: SPR 1-19-93		Dwg. No. GR-2021C-0000
Checked by: G. GOLD 6-15-20		
Approval: <i>[Signature]</i>		

MASTER