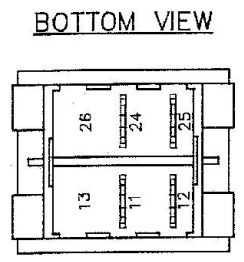
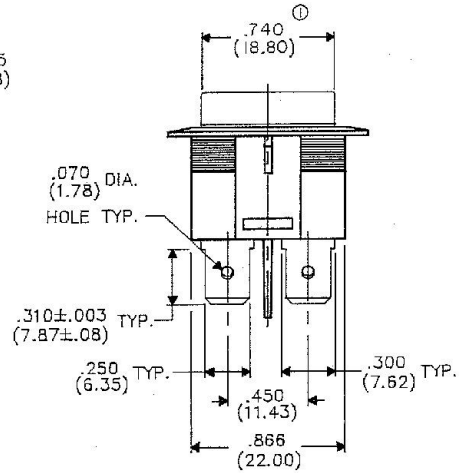
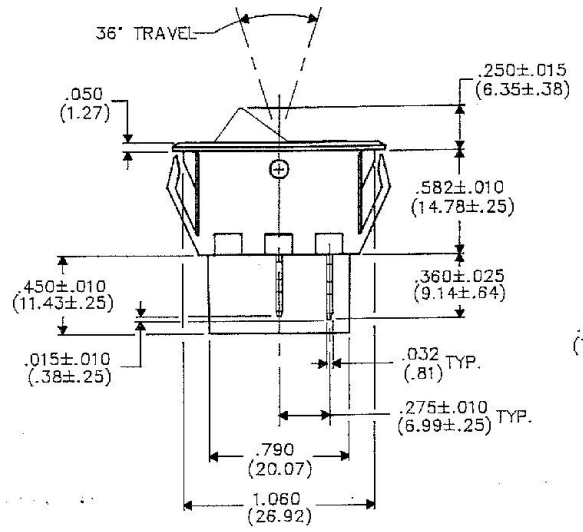
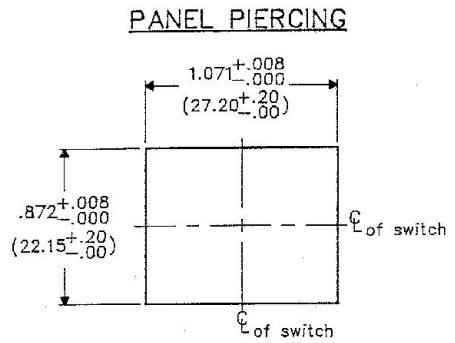
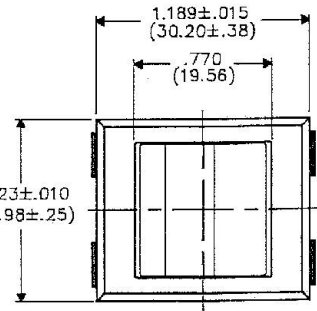


DIMENSIONS IN INCHES (MILLIMETERS)  
DO NOT SCALE DRAWING...

Drawing No. **GR-2021B-0000**



B-FORM-6	REVISIONS
	0
	1
	RELEASED SPR 1-19-93 740 WAS .750 SPR 3-16-93 R 5 1331 223

**ATTENTION**  
THIS DRAWING AND ITS ATTACHMENTS, IF ANY, ARE PROPRIETARY TO CW INDUSTRIES AND DESCRIBE DESIGNS THAT ARE CONFIDENTIAL AND MUST NOT BE DISCLOSED UNLESS AUTHORIZED, IN WRITING, BY AN OFFICER OF CW INDUSTRIES.....



**CW INDUSTRIES**  
Southampton, Pa. 18966

TOLERANCES UNLESS OTHERWISE SPECIFIED  
2 Place decimal ±.010 METRIC  
3 Place decimal ±.005 1 Place dec. ±.25 MM  
Angles . . . . . ±.1° 12 Place dec. ±.13 MM

Made for: CW IND.  
Drawn by: SPR 1-19-93  
Checked by: G.GULD 1-21-93  
Approval: JJK 1-21-93

Title  
**SWITCH ASSEMBLY**  
D.P.-S.T. MOM.  
NORMALLY OPEN

Division  
**SWITCH**

Drawing No.  
**GR-2021B-0000**