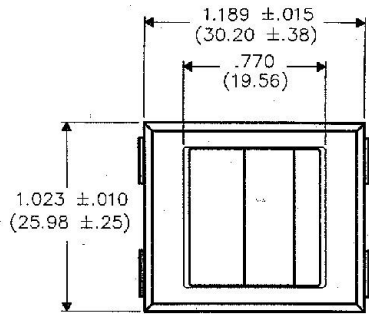
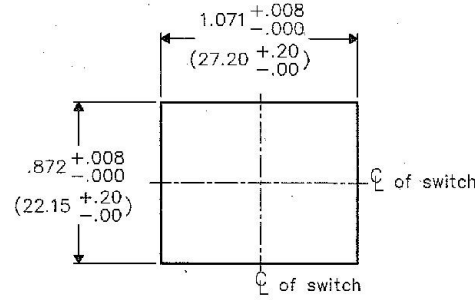


E
D
C
B
A



PANEL PIERCING

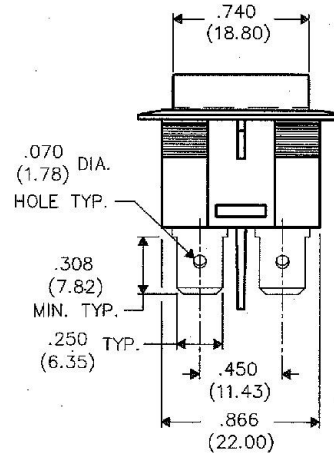
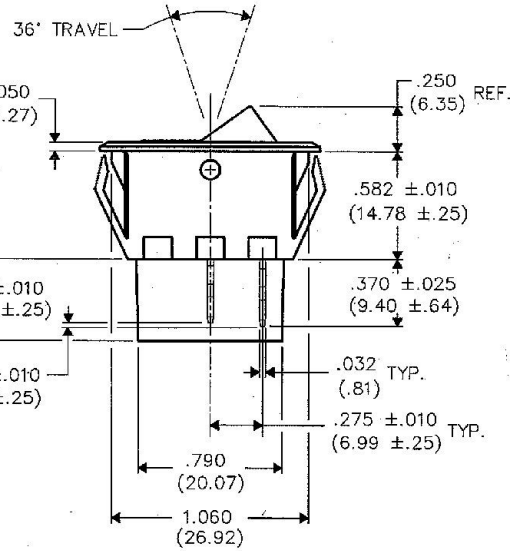


MATERIAL:

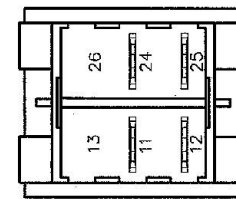
BUTTON: Nylon 6/6, Color - White
HOUSING: Nylon 6/6, Color - Black

UL/CSA/VDE Listed

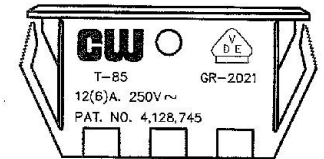
16A 125VAC 12A 250VAC
3/4 H.P. 125-250VAC
10A 14V(T) 12(6) 250V~
T-85 GR-2021



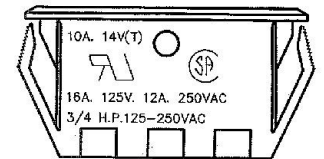
BOTTOM VIEW



SIDE ONE



SIDE TWO



B-FORMAT 2002	REVISIONS	0	1
	NEW RELEASE: DCW 12-21-2009	DEC 21 2009	ADDED VIEWS OF SIDE ONE; SIDE TWO & MATERIAL FOR BUTTON & HOUSING TO-DRAWING. DCW 12-22-2009
		GG	DEC 22 2009

ATTENTION
THIS DRAWING AND ITS ATTACHMENTS, IF ANY, ARE PROPRIETARY TO CW INDUSTRIES AND DESCRIBE DESIGNS THAT ARE CONFIDENTIAL AND MUST NOT BE DISCLOSED UNLESS AUTHORIZED, IN WRITING, BY AN OFFICER OF CW INDUSTRIES.....



PDF FILE MADE	CW INDUSTRIES Southampton, Pa. 18966
	TOLERANCES UNLESS OTHERWISE SPECIFIED
	2 Place Decimal ±.010 METRIC 3 Place Decimal ±.005 1 Place Dec. ±.25mm Angles ±1' 2 Place Dec. ±.13mm
	Made for: CW IND.
Drawn by: DGW 12/21/2009	Checked by: G. Guld 12-21-09
Approval: G. Guld 12-21-09	

Title: ROCKER SWITCH ASSEMBLY D.P.- S.T.
Division: SWITCH
Dwg. No. GR-2021-0014

MASTER