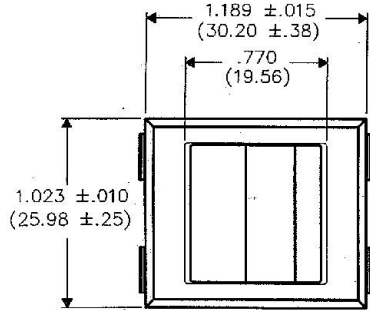
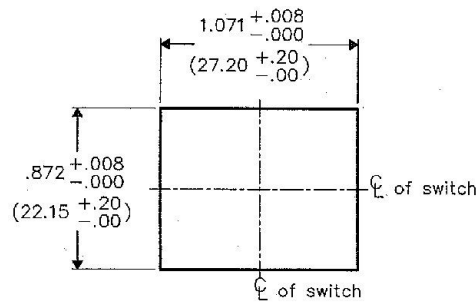


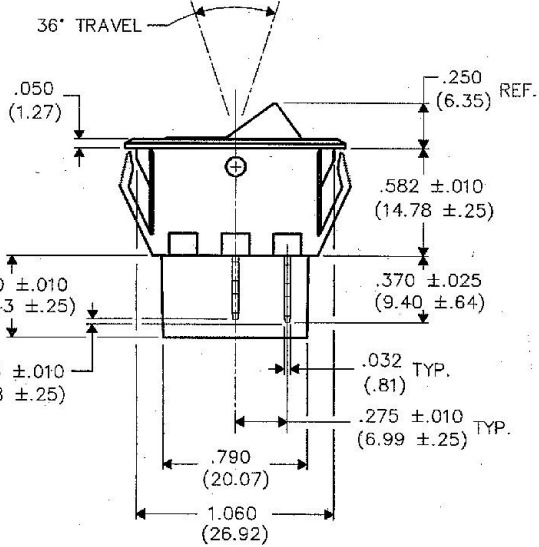
E
D
C
B
A



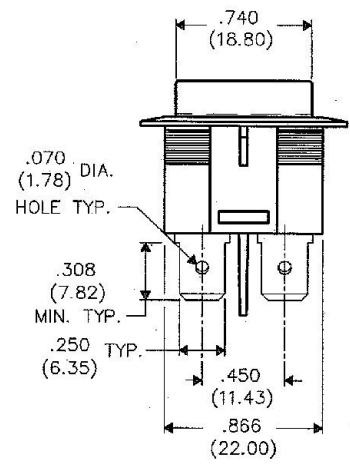
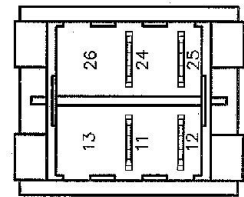
PANEL PIERCING



UL/CSA/VDE Listed ⁽⁴⁾
16A 125VAC 12A 250VAC
3/4 H.P. 125-250VAC
10A 14V(T) 12(6) 250V~
T85* GR-2021



BOTTOM VIEW



1 2 3 4 5 6 7 8 9 10

B-FORMAT 2002	REVISIONS
	3 REDRAWN: REMOVED BARRIER OPTIONAL FROM DRAWING. .015±.010 WAS .030±.015. UPDATED DRAWING. DGW 6-22-2006 GG JUL 10 2006
	4 ADDED LISTING & RATINGS. DGN 11-18-2009 GG NOV 18 2009

ATTENTION
THIS DRAWING AND ITS ATTACHMENTS, IF ANY, ARE PROPRIETARY TO CW INDUSTRIES AND DESCRIBE DESIGNS THAT ARE CONFIDENTIAL AND MUST NOT BE DISCLOSED UNLESS AUTHORIZED, IN WRITING, BY AN OFFICER OF CW INDUSTRIES.....



PDF FILE MADE	CW INDUSTRIES Southampton, Pa. 18966	Title: ROCKER SWITCH ASSEMBLY D.P.- S.T.
	TOLERANCES UNLESS OTHERWISE SPECIFIED: 2 Place Decimal ±.010 METRIC 3 Place Decimal ±.005 1 Place Dec. ±.25mm Angles ±1° 2 Place Dec. ±.13mm	Division: SWITCH
	Made for: CW IND. Drawn by: DGW 6/22/2006 Checked by: G. Gould 7-6-06 Approval: P. Felton 7-6-06	Dwg. No. GR-2021-0000

MASTER