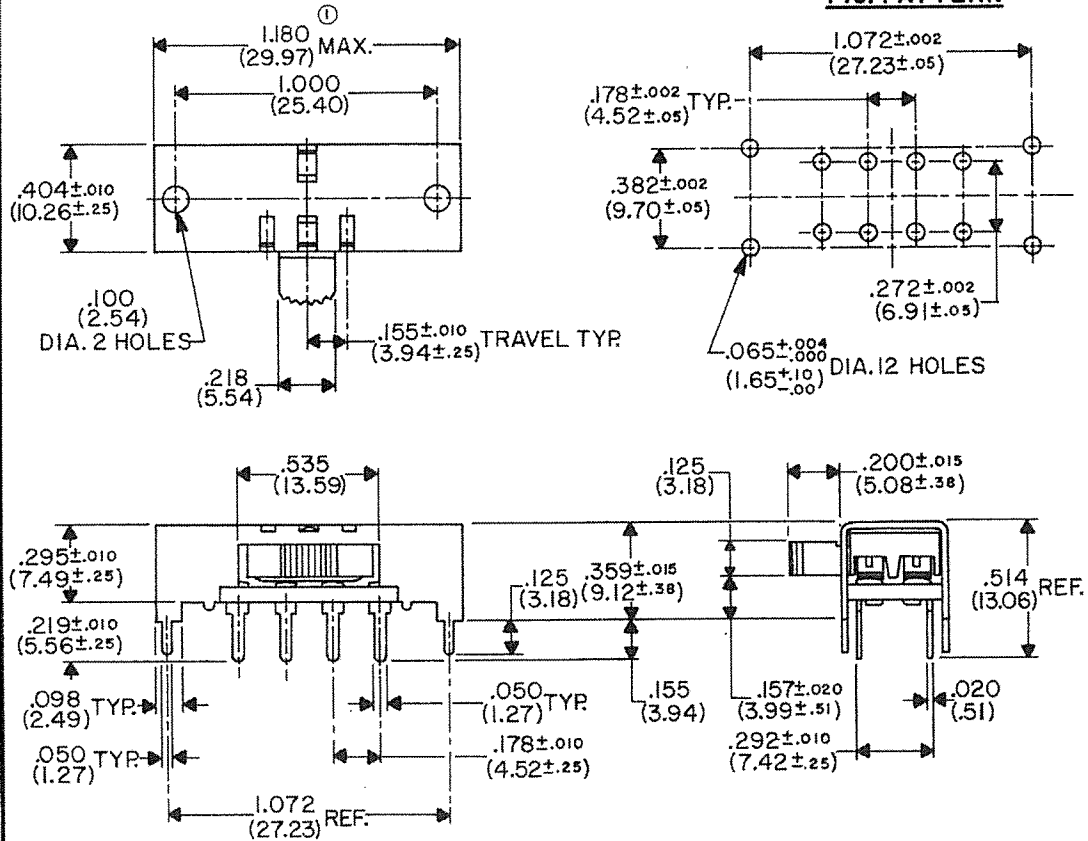


DIMENSIONS IN INCHES (METRIC-MILLIMETERS)
DO NOT SCALE DRAWING.

Drawing Number
GPI-154-0000

P.C. PATTERN



REVISIONS	DATE	BY	DESCRIPTION
0			
1	8-1-83	JG	LIBO WAS 1.170 MAX. 1.25 REF. 1.180 MAX.

ATTENTION
THIS DRAWING AND ITS ATTACHMENTS, IF ANY, ARE PROPRIETARY TO CW INDUSTRIES AND DESCRIBE DESIGNS THAT ARE CONFIDENTIAL AND MUST NOT BE DISCLOSED UNLESS AUTHORIZED, IN WRITING, BY AN OFFICER OF CW INDUSTRIES.....

CW INDUSTRIES Southampton, Pa. 18966	
TOLERANCES UNLESS OTHERWISE SPECIFIED	
2 Place decimal ± .010	METRIC
3 Place decimal ± .005	1 Place dec. ± .25MM
Angles ± 1°	2 Place dec. ± .13MM
Made for CW	
Drawn by GOGOLIN	8-1-83
Checker JG	8-2-83
Eng. app. JG	8-2-83

SWIDGET, ASSEMBLY SYDEWYNDER D.P. 3 POS.
Division SWITCH
Drawing Number GPI-154-0000

MASTER MASTER