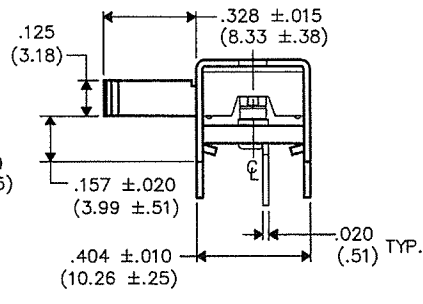
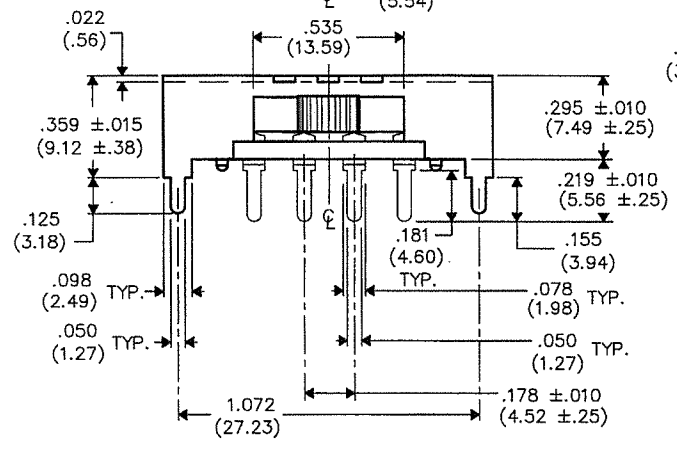
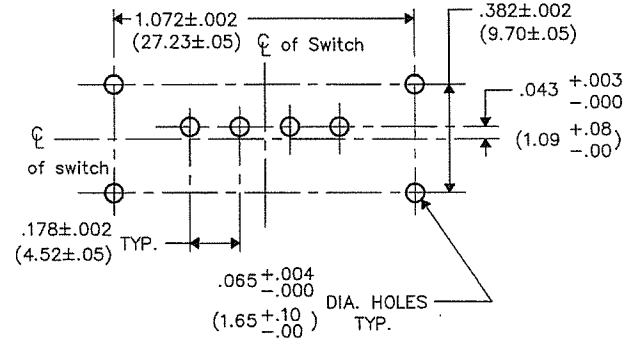
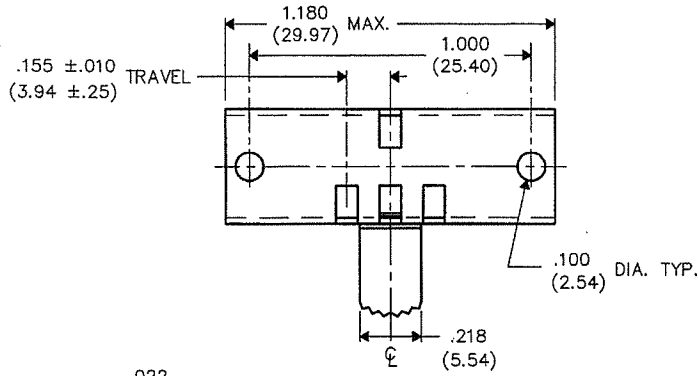


DIMENSIONS IN INCHES (MILLIMETERS)
DO NOT SCALE DRAWING

Dwg. No.
GPI-153-0008

P.C. LAYOUT



F
D
C
B
A
 THIS INFORMATION IS CONFIDENTIAL AND PROPRIETARY TO CW INDUSTRIES INCORPORATED AND ITS AFFILIATES. IT MAY NOT BE DISCLOSED TO ANYONE, OTHER THAN CW INDUSTRIES PERSONNEL, WITHOUT WRITTEN AUTHORIZATION FROM CW INDUSTRIES INCORPORATED, SOUTHAMPTON, PENNSYLVANIA, USA.

1 2 3 4 5 6 7 8 9 10

B-FORMAT 2002
REVISIONS
 0
 RELEASED
 DGW
 JUN 10 2010

ATTENTION

THIS DRAWING AND ITS ATTACHMENTS, IF ANY, ARE PROPRIETARY TO CW INDUSTRIES AND DESCRIBE DESIGNS THAT ARE CONFIDENTIAL AND MUST NOT BE DISCLOSED UNLESS AUTHORIZED, IN WRITING, BY AN OFFICER OF CW INDUSTRIES.....

CW INDUSTRIES Southampton, Pa. 18966 <small>TOLERANCES UNLESS OTHERWISE SPECIFIED</small> 2 Place Decimal ±.010 METRIC 3 Place Decimal ±.005 1 Place Dec. ±.25mm Angles ±1° 2 Place Dec. ±.13mm	Title: SWIDGET ASSEMBLY S.P.- 3 POS. SYDEWYNDER (PLUG-IN)
	Division: SWITCH
Made for: CW IND. Drawn by: DGW 6-10-2010 Checked by: G. Guld 6-11-10 Approval: G. Guld 6-11-10	Dwg. No. GPI-153-0008

MASTER MASTER