

DIMENSIONS IN INCHES (MILLIMETERS)  
DO NOT SCALE DRAWING .....

Dwg. No.

GPI-153-0006

**PERFORMANCE STANDARDS:**

OPERATING TEMPERATURE- 104°C Max. -10°C Min..

RELATIVE HUMIDITY- Switches will be operable and insulation resistance shall be greater than 100 megohms if allowed to dry for 100 hours at room temperature of 25°C and after exposure for one hour in an atmosphere having 95% relative humidity and a temperature of 50°C.

HIGH VOLTAGE BREAKDOWN- Min. of 1000 volts rms 60Hz for one minute between parts of opposite polarity.

CONTACT RESISTANCE- Less than 0.01 ohm at 20 milliamperes DC.

LIFE CYCLING (No-Load)- Switches will be operative after 10,000 (Min.) cycles at the rate of 10 cycles per minute.

LIFE CYCLING (Load)- Switches will be operative after 6000 (Min.) cycles at the rate of 10 cycles per minute at rated load.

TYPICAL OPERATING FORCE-

5-20 oz. Ref. End to Center  
10-20 oz. Ref. Center to End

**MATERIALS OF CONSTRUCTION:**

BUTTONS- Black type 6/6 Nylon

HOUSINGS- Cold-Rolled Steel

HOUSING PLATING- 4-Point PC Board  
Mount Switches-Electro-Tin

MOVING CONTACT- Copper or copper alloy

MOVING CONTACT PLATING- Silver is standard

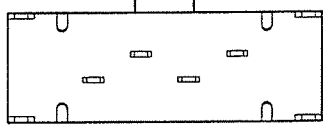
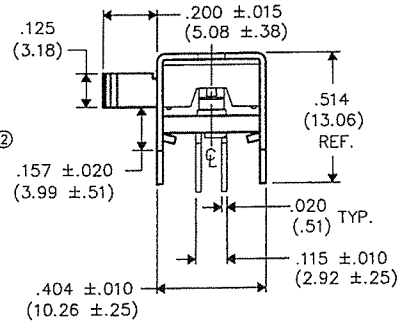
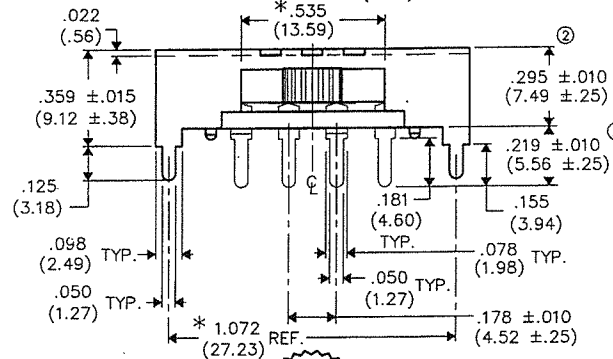
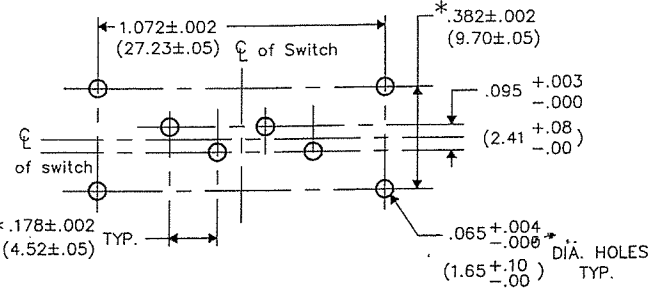
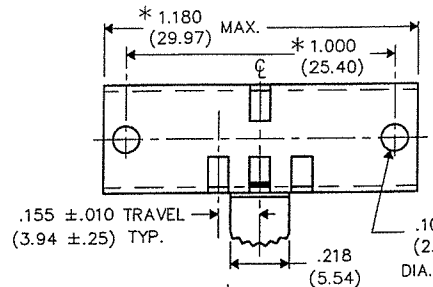
MOVING CONTACT SPRING- Phosphor bronze  
or beryllium copper

TERMINALS- Copper

TERMINAL PLATING- Silver is Standard

TERMINAL BOARD- NEMA Grade G-10

**P.C. PATTERN  
COMPONENT SIDE**



BOTTOM VIEW

E  
D  
C  
B  
A

1 2 3 4 5 6 7 8 9 10

B-FORMAT 2002	<b>REVISIONS</b>
	2
	REDRAWN .295±.010 & .219±.010 DCW 4-12-2006
	JUN 02 2006

**ATTENTION**

THIS DRAWING AND ITS ATTACHMENTS, IF ANY, ARE PROPRIETARY TO CW INDUSTRIES AND DESCRIBE DESIGNS THAT ARE CONFIDENTIAL AND MUST NOT BE DISCLOSED UNLESS AUTHORIZED, IN WRITING, BY AN OFFICER OF CW INDUSTRIES.....

**CW INDUSTRIES**  
Southampton, Pa. 18966

TOLERANCES UNLESS OTHERWISE SPECIFIED	
2 Place Decimal ±.010	METRIC
3 Place Decimal ±.005	1 Place Dec. ±.25mm
Angles ..... ±1'	2 Place Dec. ±.13mm

Made for: CW IND.  
Drawn by: DCW 4-12-2006  
Checked by: G. Gold 6-1-06  
Approval: [Signature] 6-1-06

Title: SWIDGET ASSEMBLY  
S.P.- 3 POS.  
SYDEWYNDER (PLUG-IN)

Division: SWITCH

Dwg. No. GPI-153-0006