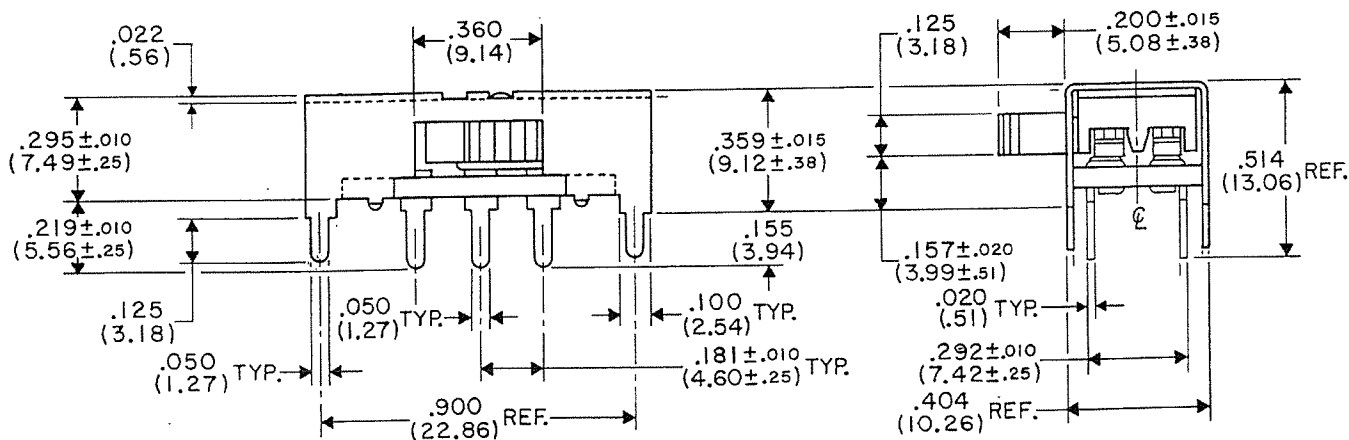
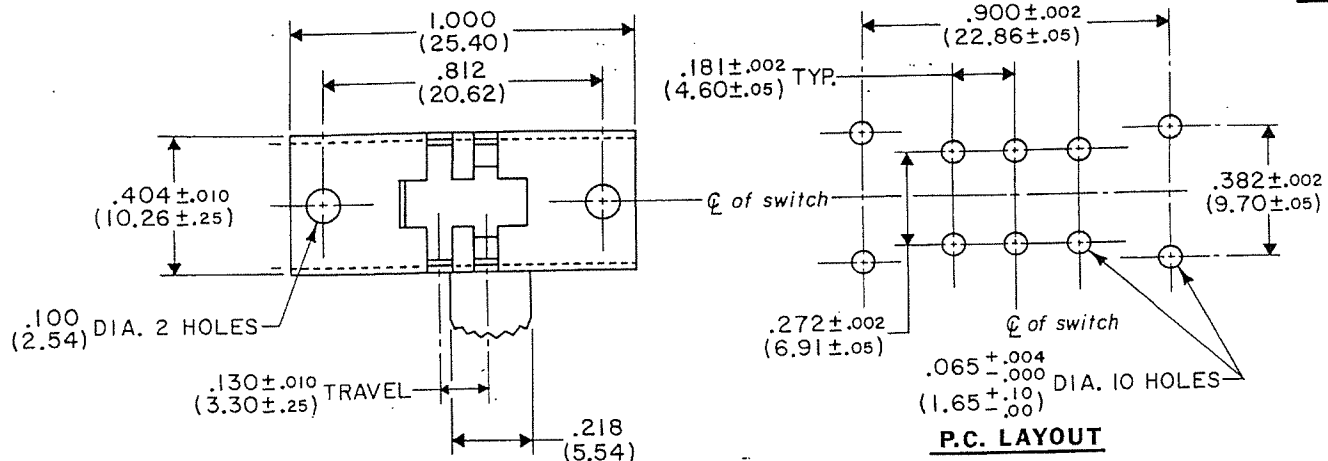


DIMENSIONS IN INCHES (METRIC-MILLIMETERS)
DO NOT SCALE DRAWING..

Drawing Number
GPI-152-3013



ATTENTION

THIS DRAWING AND ITS ATTACHMENTS, IF ANY, ARE PROPRIETARY TO CW INDUSTRIES AND DESCRIBE DESIGNS THAT ARE CONFIDENTIAL AND MUST NOT BE DISCLOSED UNLESS AUTHORIZED, IN WRITING, BY AN OFFICER OF CW INDUSTRIES.....

CW INDUSTRIES
Southampton, Pa. 18966

TOLERANCES UNLESS OTHERWISE SPECIFIED
2 Place Decimal ± .010 METRIC
3 Place Decimal ± .005 1 Place Dec. ± .25MM
Angles ± 1' 2 Place Dec. ± .13MM

Made for AGEV CET-C

Drawn by GOGOLIN 11-2-83

Checker *SK* 11-2-83

Eng. appr. *SK* 11-2-83

**SWIDGET
ASSEMBLY
D.P.-D.T.**

Division **SWITCH**

Drawing Number
GPI-152-3013

REVISIONS

MASTER