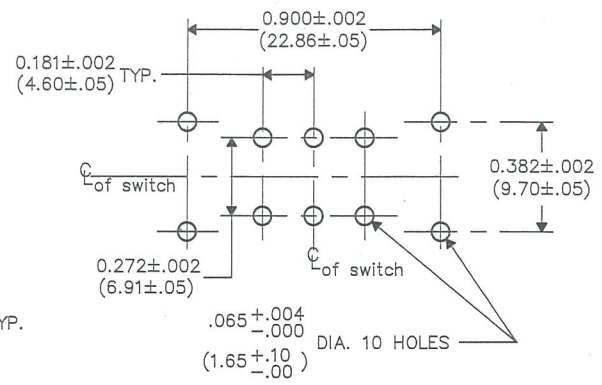
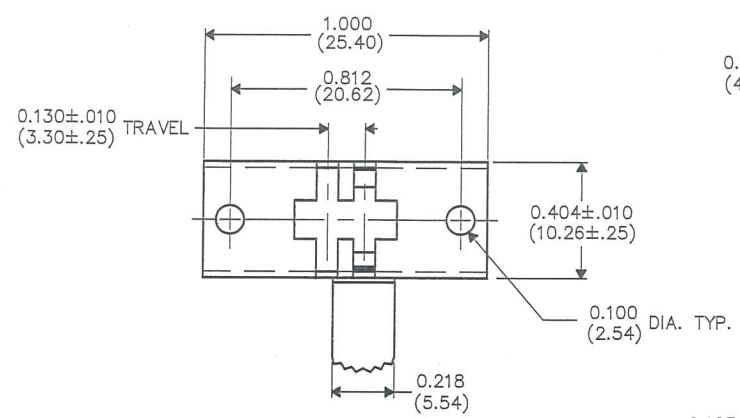


F  
 D  
 C  
 B  
 A

THIS INFORMATION IS CONFIDENTIAL AND PROPRIETARY TO CW INDUSTRIES INCORPORATED AND ITS AFFILIATES. IT MAY NOT BE DISCLOSED TO ANYONE OTHER THAN CW INDUSTRIES PERSONNEL, WITHOUT WRITTEN AUTHORIZATION FROM CW INDUSTRIES INCORPORATED, SOUTHAMPTON, PENNSYLVANIA, USA.

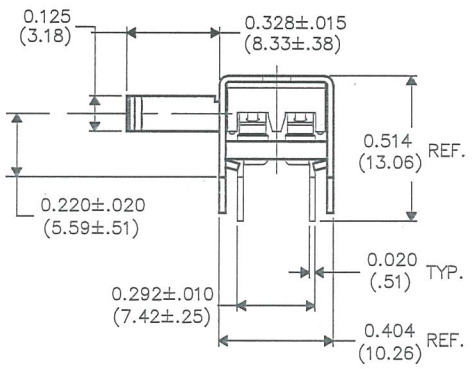
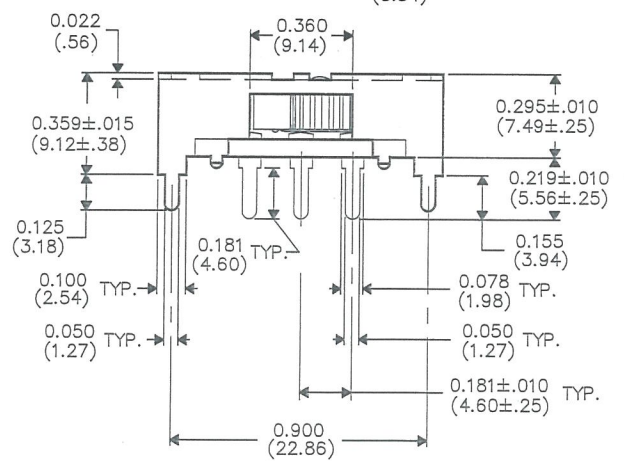
DIMENSIONS IN INCHES (MILLIMETERS)  
 DO NOT SCALE DRAWING .....  
 Dwg. No. GPI-152-0017

P.C. LAYOUT



BUTTON: Nylon 6/6, Color- Black  
 HOUSING: CRS, Electro Tin Plate

RATING: .5A. AC DC 125V  
 UL Listed



1      2      3      4      5      6      7      8      9      10

B-FORMAT 2002  
 REVISIONS  
 RELEASED: DGW 3-21-24  
 0  
 3/21/24

<b>CW INDUSTRIES</b> Southampton, Pa. 18966		Title: SWIDGET ASSEMBLY D.P.-D.T. SYDEWYNDER(PLUG-IN)	
TOLERANCES UNLESS OTHERWISE SPECIFIED			
2 Place Decimal ±.010	METRIC		
3 Place Decimal ±.005	1 Place Dec. ±.25mm		
Angle ..... ±1°	2 Place Dec. ±.13mm		
Made for: CW Ind.	Division: SWITCH		
Drawn by: DGW 3-21-24	Dwg. No. GPI-152-0017		
Checked by: <i>[Signature]</i> 3/21/24			
Approved: <i>[Signature]</i> 3/21/24			

MASTER