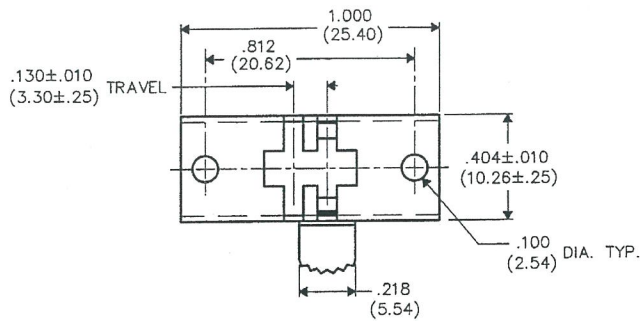


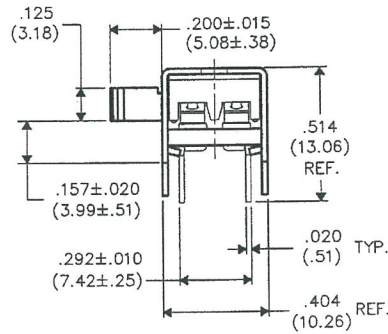
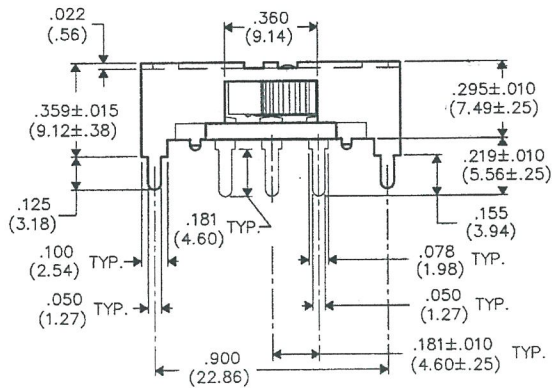
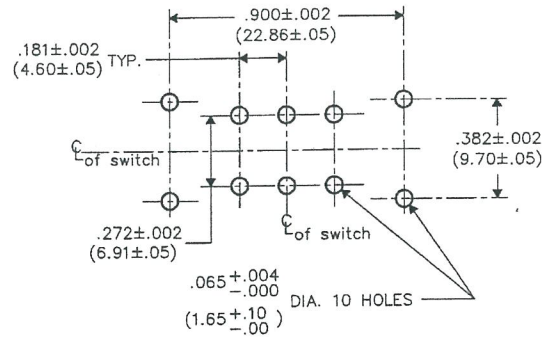
DIMENSIONS IN INCHES (MILLIMETERS)  
DO NOT SCALE DRAWING .....

Dwg. No.  
**GPI-152-0000**

E  
D  
C  
B  
A



**P.C. LAYOUT**



1 2 3 4 5 6 7 8 9 10

B-FORMAT 2002  
**REVISIONS**  
0  
RELEASED. DCW 2-06-2006  
FEB 16 2006

**ATTENTION**  
THIS DRAWING AND ITS ATTACHMENTS, IF ANY, ARE PROPRIETARY TO CW INDUSTRIES AND DESCRIBE DESIGNS THAT ARE CONFIDENTIAL AND MUST NOT BE DISCLOSED UNLESS AUTHORIZED, IN WRITING, BY AN OFFICER OF CW INDUSTRIES.....

<b>CW INDUSTRIES</b> Southampton, Pa. 18966		Title: <b>SWIDGET ASSEMBLY D.P.- D.T. SYDEWYNDER (PLUG-IN)</b>	
TOLERANCES UNLESS OTHERWISE SPECIFIED		Division: <b>SWITCH</b>	
2 Place Decimal ±.010	METRIC	Dwg. No. <b>GPI-152-0000</b>	
3 Place Decimal ±.005	1 Place Dec. ±.25mm	Checked by: <i>G. Guld 2-16-06</i>	
Angles ..... ±1'	2 Place Dec. ±.13mm	Approval: <i>[Signature]</i> 2-16-06	
Made for: <b>CW IND.</b>	Dwg. No. <b>GPI-152-0000</b>		
Drawn by: <b>DGW 2-06-2006</b>	Dwg. No. <b>GPI-152-0000</b>		

**MASTER**