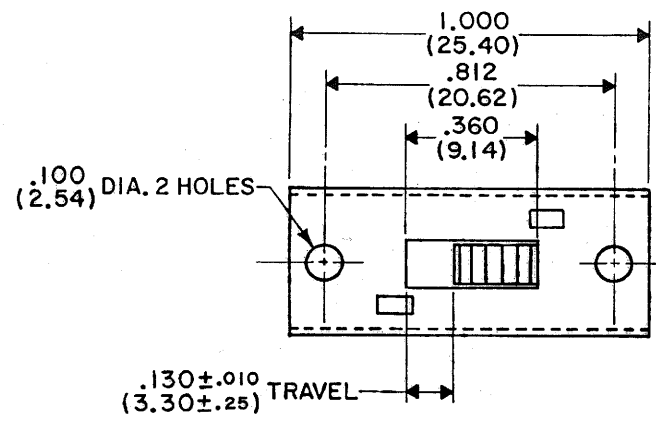


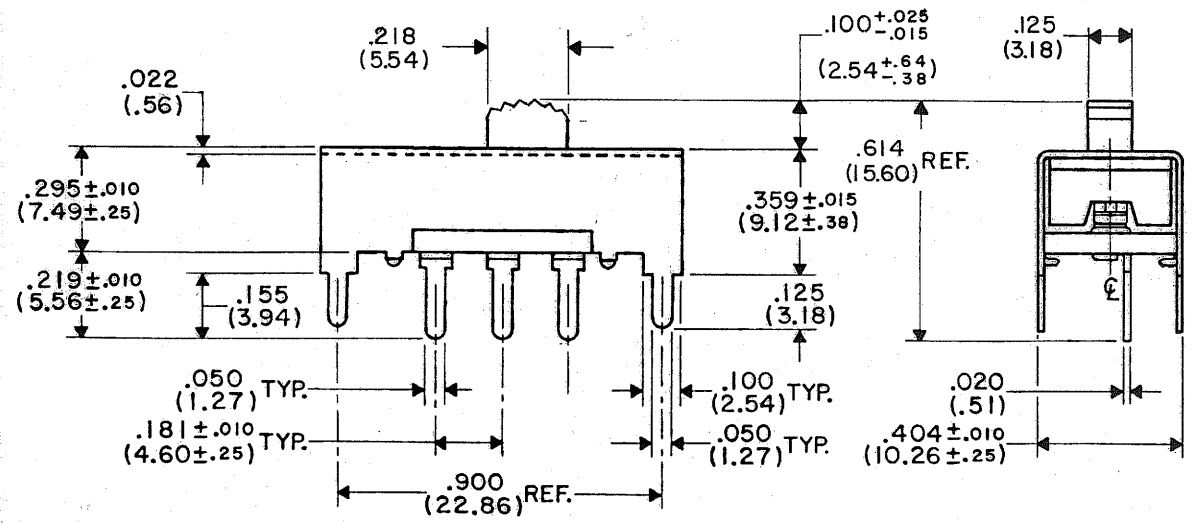
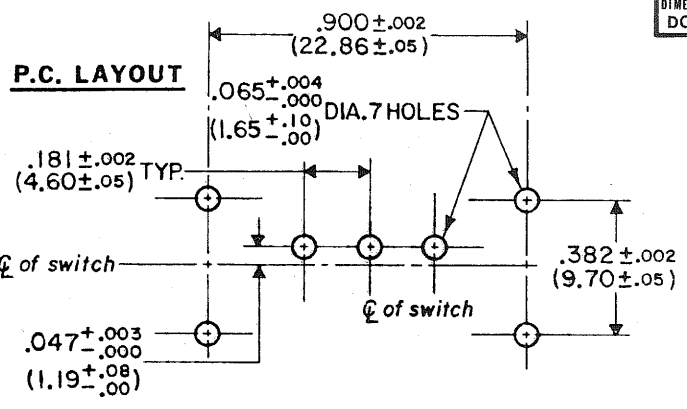
DIMENSIONS IN INCHES (METRIC-MILLIMETERS)  
DO NOT SCALE DRAWING..

Drawing Number  
**GPF-124-0002**

**NOTE:**  
Dimensions in ( ) are in millimeters.



**P.C. LAYOUT**



REVISIONS

**CW INDUSTRIES**  
Southampton, Pa. 18966

TOLERANCES UNLESS OTHERWISE SPECIFIED

2 Place decimal ± .010	METRIC
3 Place decimal ± .005	1 Place dec. ± .25MM
Angles . . . . . ± 1°	2 Place dec. ± .13MM

Made for EORNOM 405-10186-0B  
Drawn by Leo Webber 4-14-82  
Checker *Dvd* 4/15/82  
Eng. appr.

**SWIDGET ASSEMBLY**  
S. P. - D.T.  
P.C. MTG.

Division SWITCH  
Drawing Number **GPF-124-0002**