

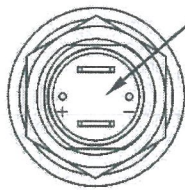
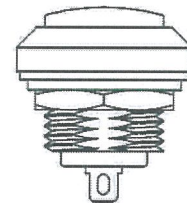
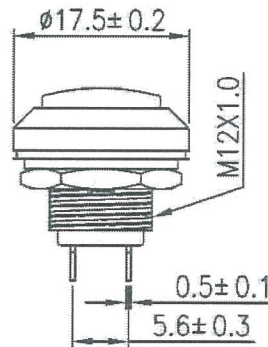
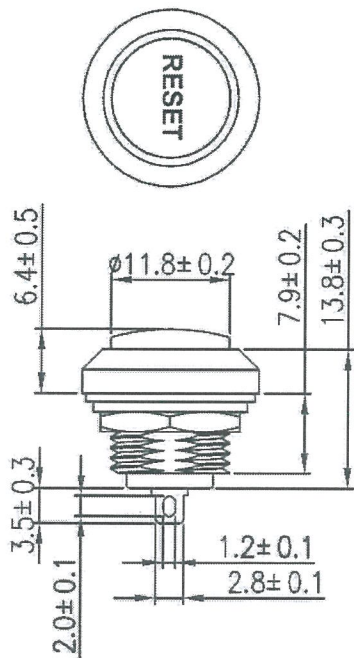
THIS INFORMATION IS CONFIDENTIAL AND PROPRIETARY TO CW INDUSTRIES INCORPORATED AND ITS AFFILIATES. IT MAY NOT BE DISCLOSED TO ANYONE, OTHER THAN CW INDUSTRIES PERSONNEL, WITHOUT WRITTEN AUTHORIZATION FROM CW INDUSTRIES INCORPORATED, SOUTHAMPTON, PENNSYLVANIA USA.

Rating	400mA 32VAC 125mA 125VAC 100mA 50VDC		
Contact Resistance	50m ohm Max		
Insulation Resistance	DC 500V 100M ohm Min.		
Dielectric Strength	AC 1000V 1minute		
Operation Temperature	-25°C~85°C		
Mechanical Life	10,000 Cycles Min.	Thickness: 1.5~4.0mm	
Function	2P SPST OFF - (ON)		

() = Momentary Function

MATERIAL:

- Frame: Black, Nylon 66, UL94V-2
- Actuator: Nylon 66, UL94V-2
- Actuator Color: Red
- Printing Color: White, hot stamping
- Base: Black PBT, UL94V-0
- Terminals: Gold plated, Copper
- Waterproof: IP67
- Nut Torque: .6 - .8 Nm



Date Code
(MMYY)

Order Chart	
Series	Terminal Style
GPB556	A 05 B R P1
Function	Actuator Color
Frame Color	

MASTER

R13-556A-05-BR (R13-556-2A1)

CW INDUSTRIES
Southampton, Pa. 18966
Tel 215.355.7080/www.cwind.com

Date Drawn: DW 12/21/23 Rev. 0
Unit: mm
Title: PUSH BUTTON SWITCH

Checked By: *G. GOLD*
CW P/N: GPB556A05BRP1