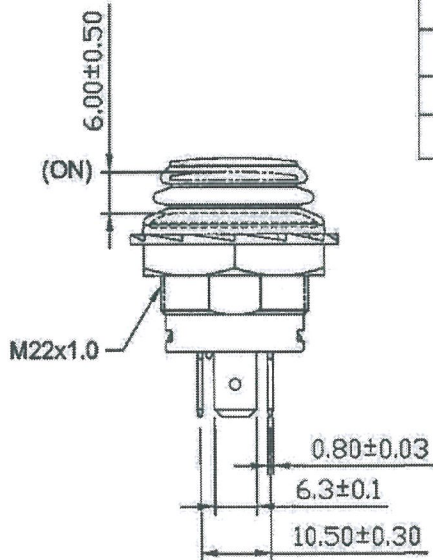
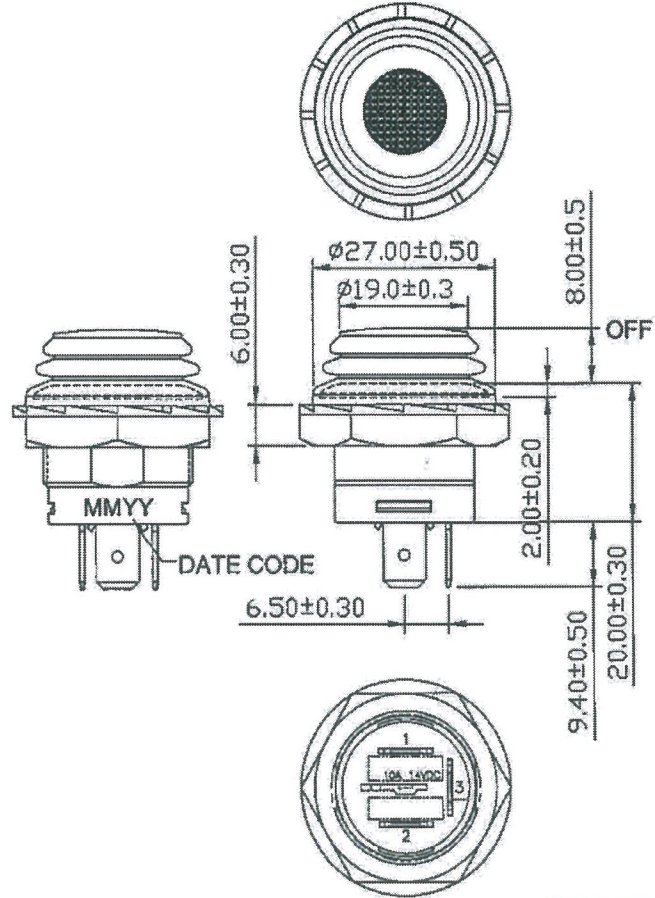
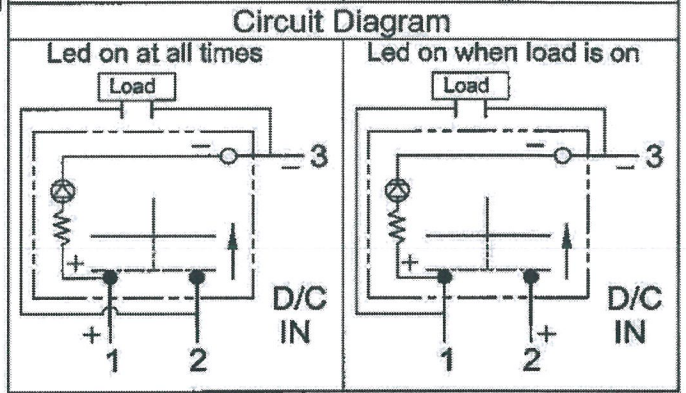
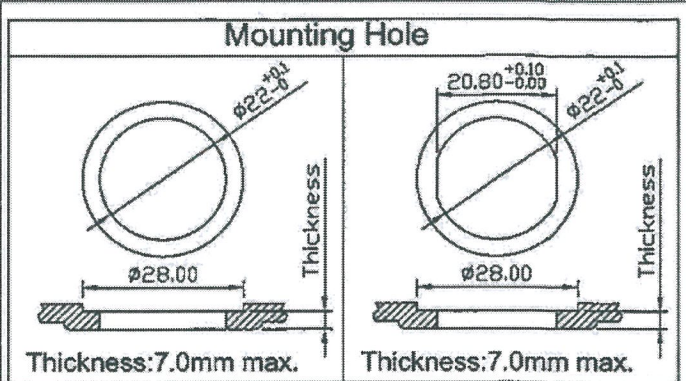


THIS INFORMATION IS CONFIDENTIAL AND PROPRIETARY TO CW INDUSTRIES INCORPORATED AND ITS AFFILIATES. IT MAY NOT BE DISCLOSED TO ANYONE, OTHER THAN CW INDUSTRIES PERSONNEL, WITHOUT WRITTEN AUTHORIZATION FROM CW INDUSTRIES INCORPORATED, SOUTHAMPTON, PENNSYLVANIA USA.

Rating	10A 14VDC
Contact Resistance	50m ohm Max.
Insulation Resistance	DC 500V 100M ohm Min.
Dielectric Strength	AC 1500V 1 minute
Operation Temperature	-25° C ~ 85° C
Switch Function	3P SPST OFF - (ON) LED Dependent
Lamp Type	LED 12VDC 14V w/resistor

( ) = Momentary Function

**MATERIAL:**  
 Frame: Black, Nylon 66 (94-V2)  
 Actuator: PC Clear (94-V2), For Color Ref. "X"  
 in Actuator/LED Color Chart and CW P/N.  
 LED: For Color Ref. "X" in Actuator/LED Color  
 Chart and CW P/N.  
 Waterproof Rubber: Black, Silicone  
 Printed: None  
 Waterproof: IP65  
 Electrical life at full load: 20,000 cycles.



Actuator/LED Color	X
Amber	A
Green	G
Red	R
Blue	U
White	W

ORDER CHART				
Series	Terminal Type	Frame Color	Actuator Color	
GPB553	A2L 01	B	X	
Function			Actuator Color	

RoHS Compliant  
 R13-553A2L-01-BX

**MASTER**

1 Removed logo & added order chart. DW 2/24/23

**CW INDUSTRIES**  
 Southampton, Pa. 18966  
 Tel 215.355.7080/www.cwind.com

Date Drawn: 6-05-12

Rev. 1

Unit: mm

Checked By: *G. GULD*

Title: **PUSH BUTTON SWITCH**

CW P/N: **GPB553A2L01BX**