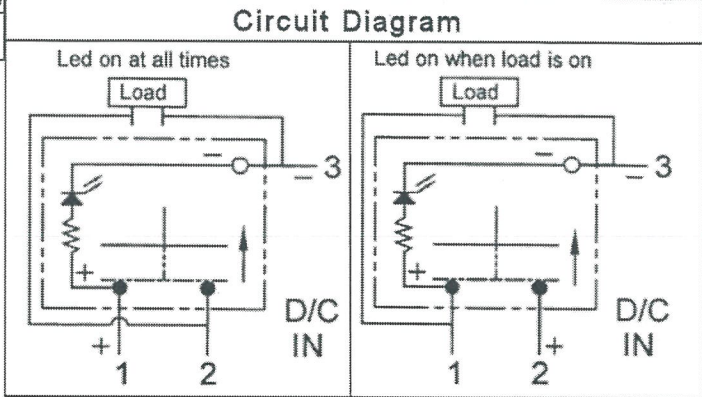
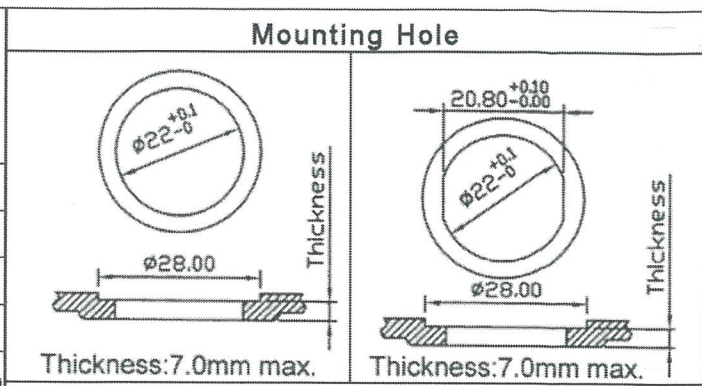


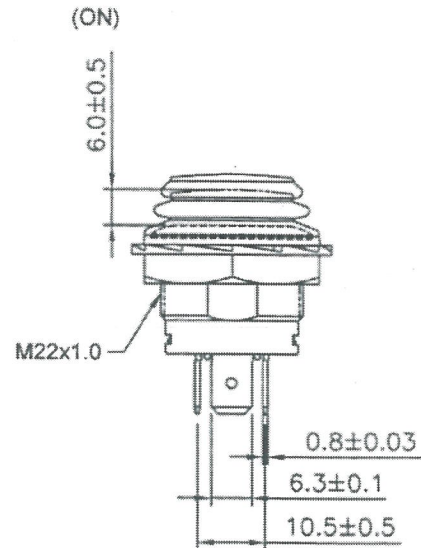
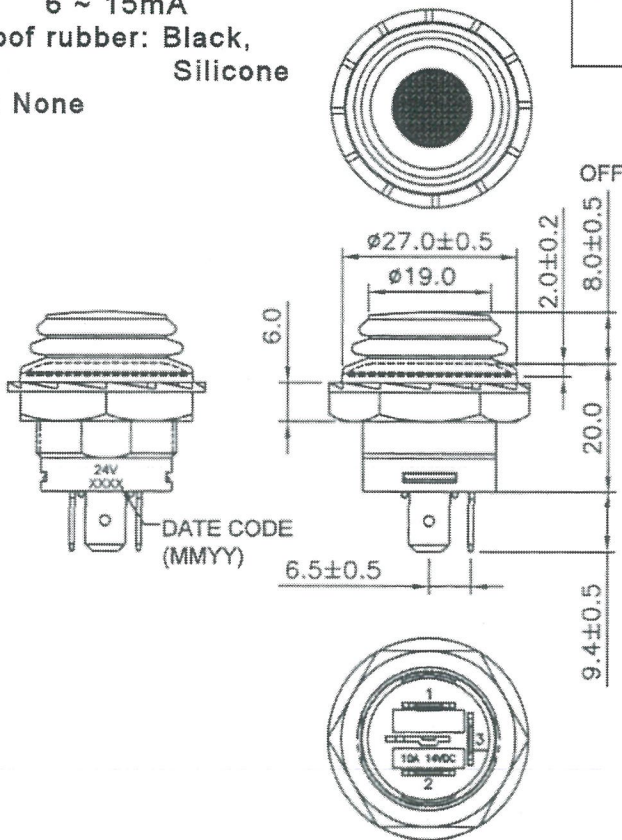
THIS INFORMATION IS CONFIDENTIAL AND PROPRIETARY TO CW INDUSTRIES INCORPORATED AND ITS AFFILIATES. IT MAY NOT BE DISCLOSED TO ANYONE, OTHER THAN CW INDUSTRIES PERSONNEL, WITHOUT WRITTEN AUTHORIZATION FROM CW INDUSTRIES INCORPORATED, SOUTHAMPTON, PENNSYLVANIA USA.

Rating	10A 14VDC, 5A 24VDC
Contact Resistance	50m ohm Max.
Insulation Resistance	DC 500V 100M ohm Min.
Dielectric Strength	AC 1500V 1 minute
Operation Temperature	-25°C ~ 85°C
Switch Function	3P SPST OFF-(ON) (LED dependent)
Lamp Type	LED 24VDC w/resistor

Electrical life at full load: 20,000 cycles
Waterproof: IP65
Torque for nut locking: 6.8kgf.cm/Max.
Material:
Frame: Black, Nylon #66 (94V-2)
Actuator: Blue, PC clear (94V-2)
LED: Blue, Working Current 6 ~ 15mA
Waterproof rubber: Black, Silicone
Printing: None



() = Momentary



Order Chart

Series	GPB553 A2L 01 B U - L 2 - Voltage									
Function				Lamp						
Terminal Type				Actuator Color			Frame Color			

Tolerances ± 0.3 Unless Otherwise Specified

MASTER

R13-553A2L-01-BU

 CW INDUSTRIES Southampton, Pa. 18966 Tel 215.355.7080/www.cwind.com	Date Drawn: DW 5/18/23	Rev. 0	Unit: mm	Checked By: <i>G. GOLD</i>
	Title: 24V BLUE PUSH BUTTON SWITCH		CW P/N: GPB553A2L01BU-L2	