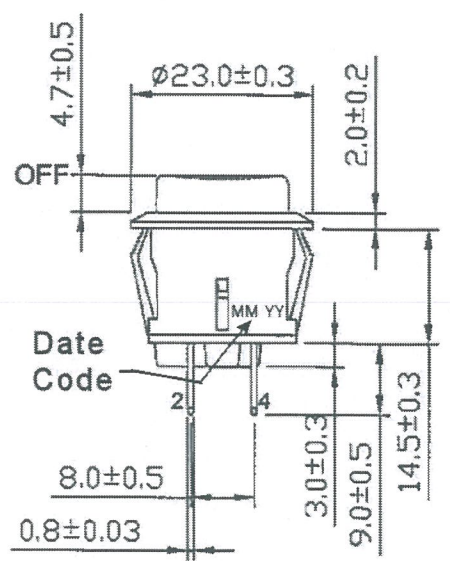
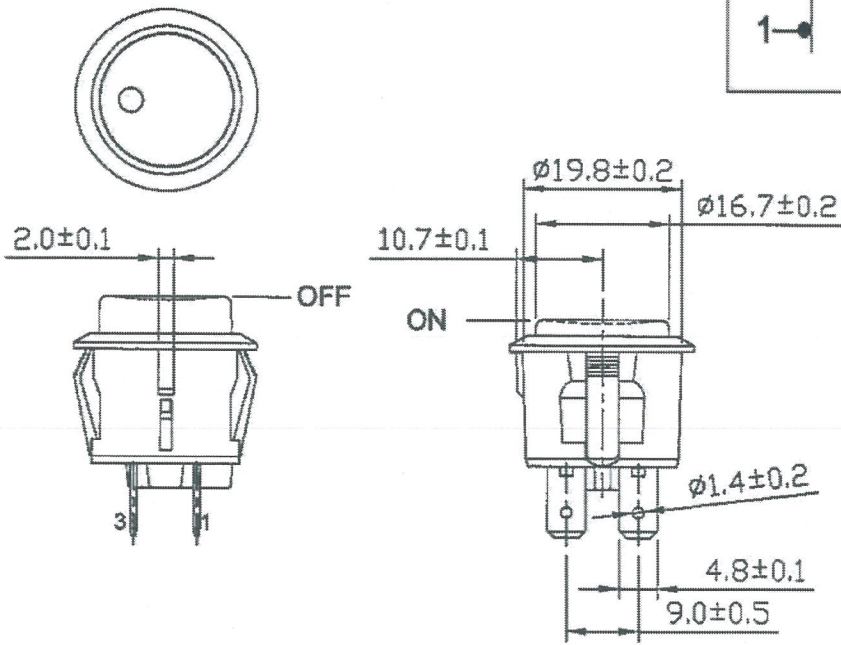
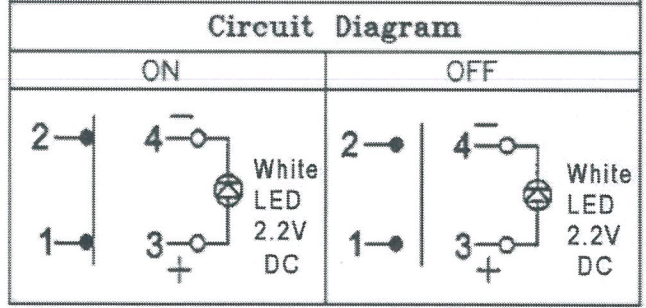
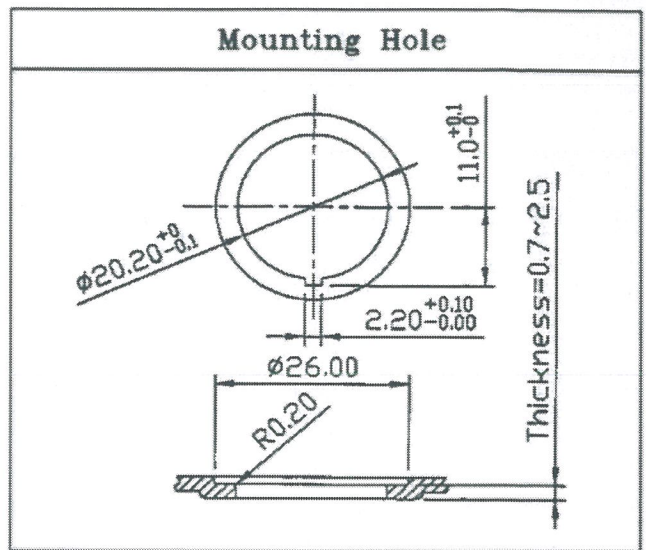


THIS INFORMATION IS CONFIDENTIAL AND PROPRIETARY TO CW INDUSTRIES INCORPORATED AND ITS AFFILIATES. IT MAY NOT BE DISCLOSED TO ANYONE, OTHER THAN CW INDUSTRIES PERSONNEL, WITHOUT WRITTEN AUTHORIZATION FROM CW INDUSTRIES INCORPORATED, SOUTHAMPTON, PENNSYLVANIA USA.

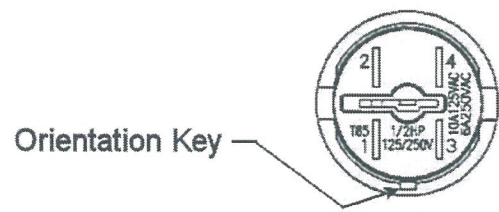
|                       |   |  |
|-----------------------|---|--|
| <b>Ratings</b>        | 10A 125VAC, 6A 250VAC<br>1/2HP 125/250VAC |  |
| Contact Resistance    | 50m ohm Max.                              |  |
| Insulation Resistance | DC 500V 100M ohm Min.                     |  |
| Dielectric Strength   | AC 1500V 1 minute                         |  |
| Operation Temp.       | 0° C ~ 85° C                              |  |
| Switch Function       | 4P SPST OFF-ON Led Independent            |  |
| Electrical Endurance  | 6,000 Cycles                              |  |
| Lamp Type             | White LED 2.2V DC                         |  |

**MATERIAL:**

- Frame: White
- Actuator: White
- LED: White
- Terminals 1/2/3: Silver plated, Copper alloy
- Terminal 4: Brass alloy
- Printing: None



| ORDER CHART |               |                |                |
|-------------|---------------|----------------|----------------|
| Series      | Terminal Type | Frame Color    | Actuator Color |
| GPB527      | D5L 02        | W              | W              |
| Function    |               | Actuator Color |                |



RoHS Compliant

MASTER

|   |  |
|---|--|
| 2 | Removed logo and added order chart. A.Philip 11/17/22                      |
| 1 | Corrected views with key & CW/Date code & added orientation key. 11/08/16. |

|  |                                  |        |                              |                            |
|--|----------------------------------|--------|------------------------------|----------------------------|
| <b>CW INDUSTRIES</b><br>Southampton, Pa. 18966<br>Tel 215.355.7080/www.cwind.com | Date Drawn: 9-11-13              | Rev. 2 | Unit: mm                     | Checked By: <i>G. GULD</i> |
|  | Title: <b>PUSH BUTTON SWITCH</b> |        | CW P/N: <b>GPB527D5L02WW</b> |                            |