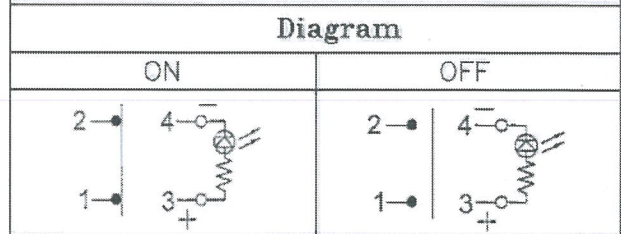
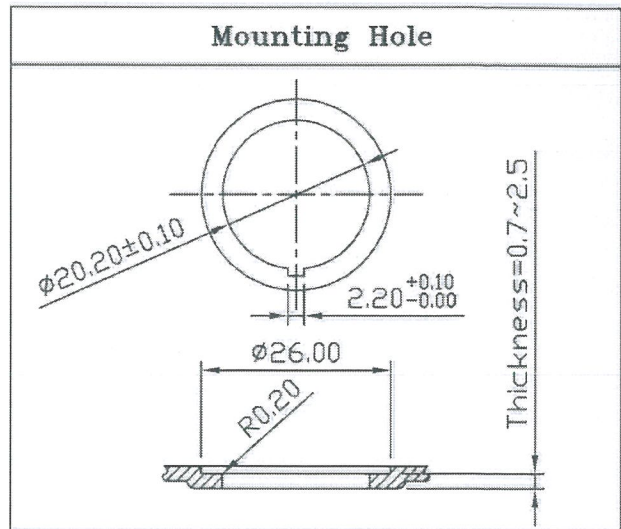


THIS INFORMATION IS CONFIDENTIAL AND PROPRIETARY TO CW INDUSTRIES INCORPORATED AND ITS AFFILIATES. IT MAY NOT BE DISCLOSED TO ANYONE, OTHER THAN CW INDUSTRIES PERSONNEL, WITHOUT WRITTEN AUTHORIZATION FROM CW INDUSTRIES INCORPORATED, SOUTHAMPTON, PENNSYLVANIA USA.

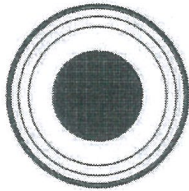
Rating	10A 125VAC, 6A 250VAC 1/2HP 125/250VAC	
Configured For	12VDC 14V	
Contact Resistance	50m ohm Max.	
Insulation Resistance	DC 500V 100M ohm Min.	
Dielectric Strength	AC 1500V 1 minute	
Operation Temp.	- 25°C ~ 85°C	
Function	4P SPST ON-OFF LED Independent	
Lamp Type	LED 12VDC 14V w/resistor	



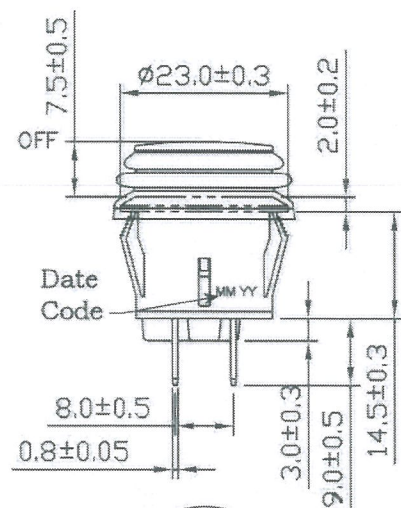
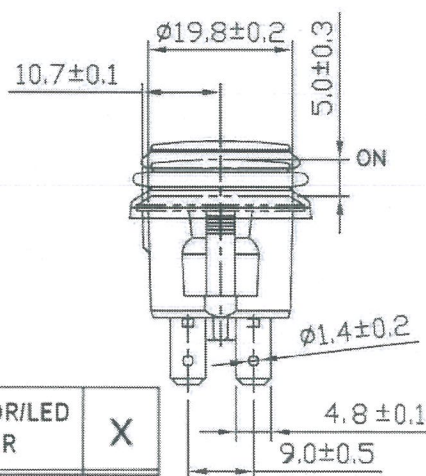
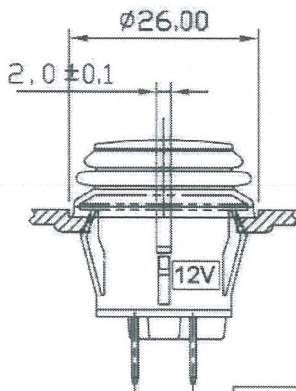
Full Travel: 4.5mm

MATERIAL:

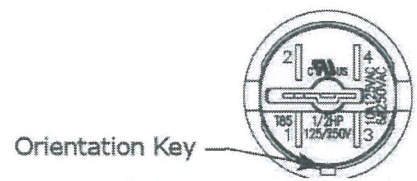
- Frame: Black, Nylon 66 (94-V2)
- Actuator: PC Clear (94-V2), For Color Ref. "X" in Actuator/LED Color Chart and CW P/N.
- LED: For Color Ref. "X" in Actuator/LED Color Chart and CW P/N.
- Terminals: Silver plated, Copper alloy
- Waterproof Rubber: Black, Silicone
- Printed: None
- Waterproof: IP65



ORDER CHART				
Series	Terminal Type	Frame Color		
GPB527	D2L 02	B X1		
	Function	Actuator Color		



ACTUATOR/LED COLOR	X
Amber	A
Green	G
Red	R
Blue	U
White	W



RoHS Compliant

MASTER

2 Removed logo and added order chart. APhilip 11/17/22
1 4.8+/-0.1 Was 4.75+/-0.1 Term width. 11/08/16.

CW INDUSTRIES
Southampton, Pa. 18966
Tel 215.355.7080/www.cwind.com

Date Drawn: 6/28/12 Rev. 2
Title: PUSH BUTTON SWITCH

Unit: mm Checked By: *G. GULD*
CW P/N: GPB527D2L02BX1