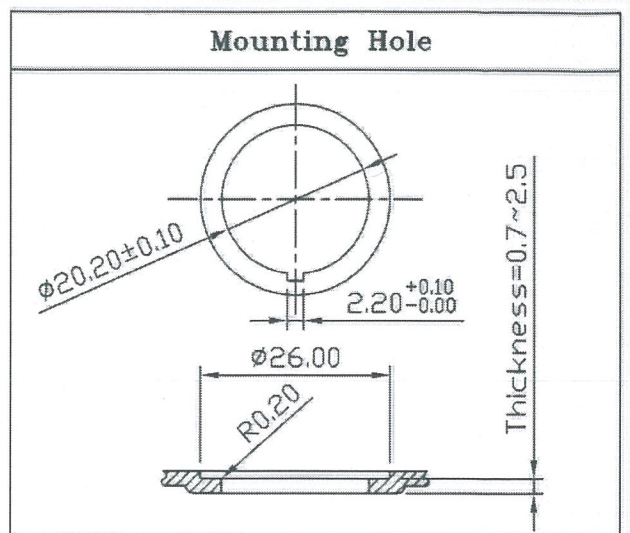


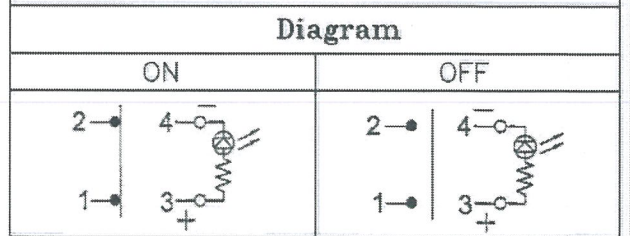
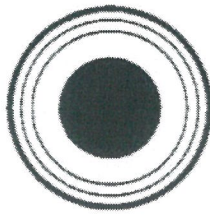
THIS INFORMATION IS CONFIDENTIAL AND PROPRIETARY TO CW INDUSTRIES INCORPORATED AND ITS AFFILIATES. IT MAY NOT BE DISCLOSED TO ANYONE, OTHER THAN CW INDUSTRIES PERSONNEL, WITHOUT WRITTEN AUTHORIZATION FROM CW INDUSTRIES INCORPORATED, SOUTHAMPTON, PENNSYLVANIA USA.

Rating	20A 14VDC
Contact Resistance	50m ohm Max.
Insulation Resistance	DC 500V 100M ohm Min.
Dielectric Strength	AC 1500V 1 minute
Operation Temp.	- 25°C ~ 85°C
Function	4P SPST ON-OFF LED Independent
Lamp Type	LED 12VDC 14V w/resistor



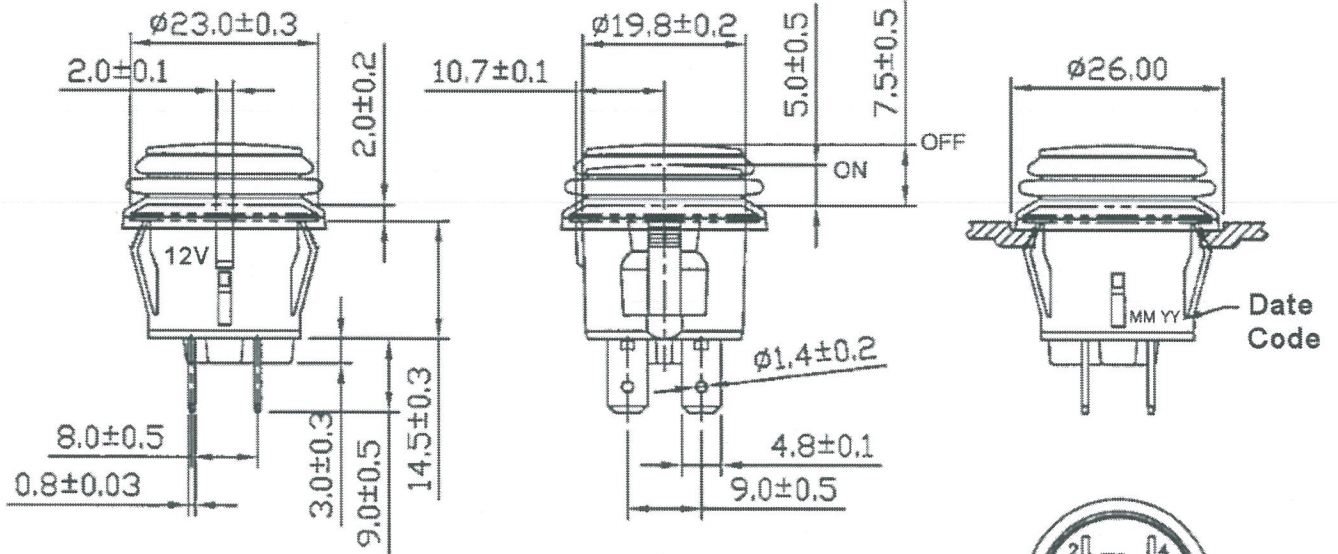
**Material:**

Frame: Black, Nylon 66 (94-V2)  
 Actuator: White, PC Clear (94-V2)  
 Terminals: Silver plated, Copper alloy  
 Waterproof Rubber: White, Silicone  
 LED: White  
 Waterproof: IP65

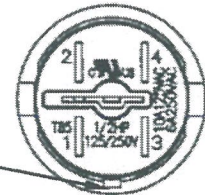


Full Travel: 4.5mm

ORDER CHART			
Series	Terminal Type	Frame Color	
GPB527	D2L	02	BW   W1
Function		Actuator Color	



Orientation Key



RoHS Compliant

MASTER

1 Removed logo and added order chart. APhilip 11/18/22

**CW INDUSTRIES**  
 Southampton, Pa. 18966  
 Tel 215.355.7080/www.cwind.com

Date Drawn: 4/09/14

Rev.1

Unit: mm

Checked By: *G. GULD*

Title:  
 PUSH BUTTON SWITCH

CW P/N:  
 GPB527D2L02BWW1