

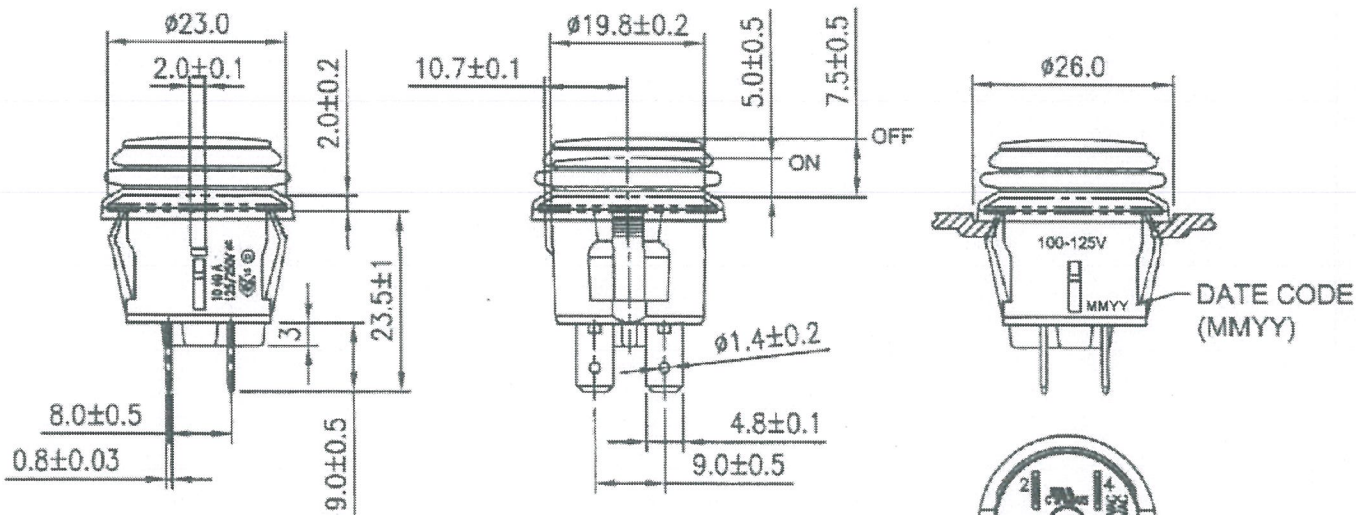
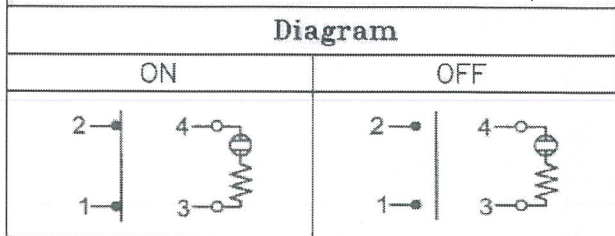
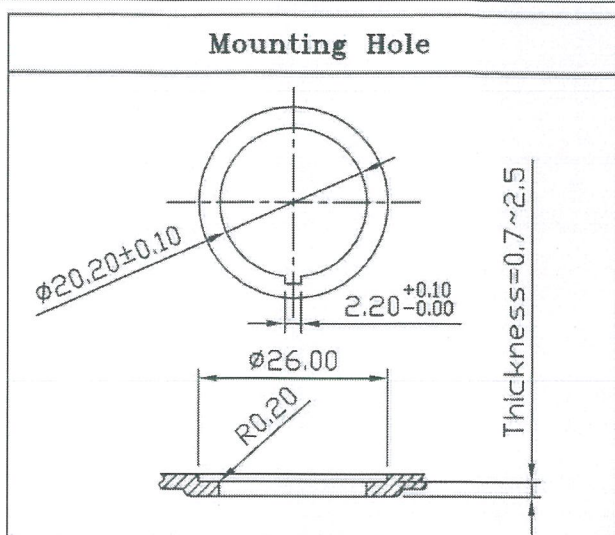
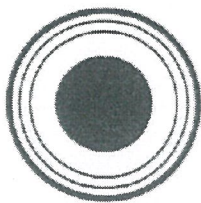


THIS INFORMATION IS CONFIDENTIAL AND PROPRIETARY TO CW INDUSTRIES INCORPORATED AND ITS AFFILIATES. IT MAY NOT BE DISCLOSED TO ANYONE, OTHER THAN CW INDUSTRIES PERSONNEL, WITHOUT WRITTEN AUTHORIZATION FROM CW INDUSTRIES INCORPORATED, SOUTHAMPTON, PENNSYLVANIA USA.

Rating	10A 125VAC 6A 250VAC 1/2 HP 125/250V 10(4)A 125/250V ac	 
Contact Resistance	50m ohm Max.	
Insulation Resistance	DC 500V 100M ohm Min.	
Dielectric Strength	AC 1500V 1 minute	
Operation Temp.	- 25°C ~ 85°C	
Function	4P SPST ON-OFF	
Lamp Type	NEON Bulb 110V (Independent)	

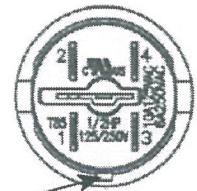
MATERIAL:

Frame: Black, Nylon 66 (94-V2)
 Actuator: Green, PC Clear (94-V2)
 Terminals: Silver Plated, Copper Alloy
 Waterproof Rubber: Black, Silicone
 Printing: None
 Waterproof: IP65



ORDER CHART

Series	Terminal Type	Frame Color	Lamp Type	Voltage
GPB527	D2L	02	B G N 1	
Function			Actuator Color	



Orientation Key

MASTER

R13-527D2L-02

1 | Removed logo APhilip 11/18/22

CW INDUSTRIES
 Southampton, Pa. 18966
 Tel 215.355.7080/www.cwind.com

Date Drawn: 4/04/19

Rev.1

Unit: mm

Checked By: *G. GULD*

Title: **PUSH BUTTON SWITCH**

CW P/N: **GPB527D2L02BGN1**