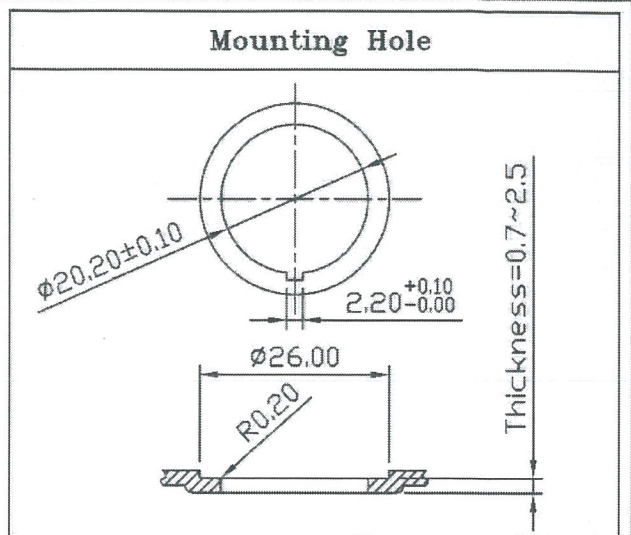


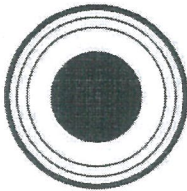
THIS INFORMATION IS CONFIDENTIAL AND PROPRIETARY TO CW INDUSTRIES INCORPORATED AND ITS AFFILIATES. IT MAY NOT BE DISCLOSED TO ANYONE, OTHER THAN CW INDUSTRIES PERSONNEL, WITHOUT WRITTEN AUTHORIZATION FROM CW INDUSTRIES INCORPORATED, SOUTHAMPTON, PENNSYLVANIA USA.

Rating	10A 125VAC, 6A 250VAC 1/2HP 125/250VAC	
Configured For	20A 14VDC	
Contact Resistance	50m ohm Max.	
Insulation Resistance	DC 500V 100M OHM Min.	
DIELECTRIC STRENGTH	AC 1500V 1 MINUTE	
Operation Temp.	- 25 °C ~ 85 °C	
Function	3P SPST ON - OFF Lamp Dependent	
Lamp Type	LED 12VDC 14V w/resistor	

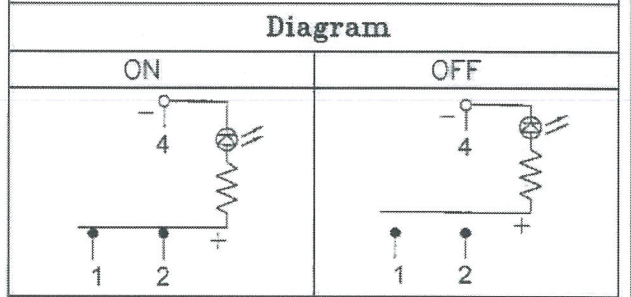


MATERIAL:

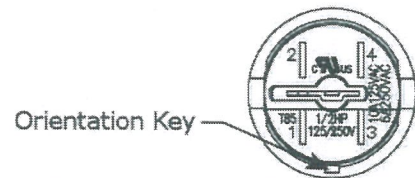
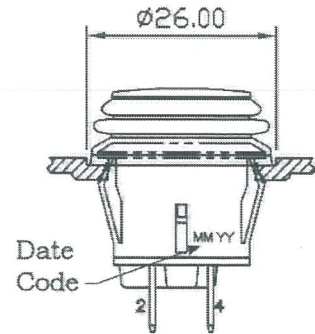
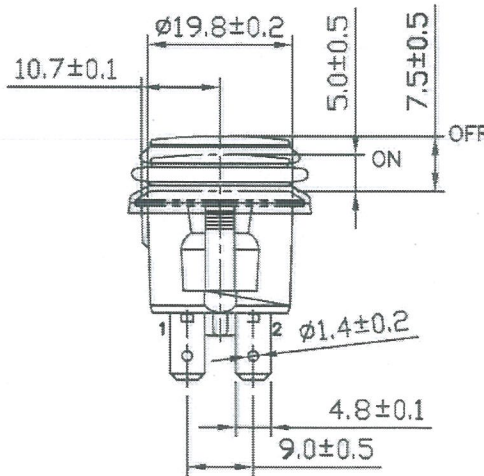
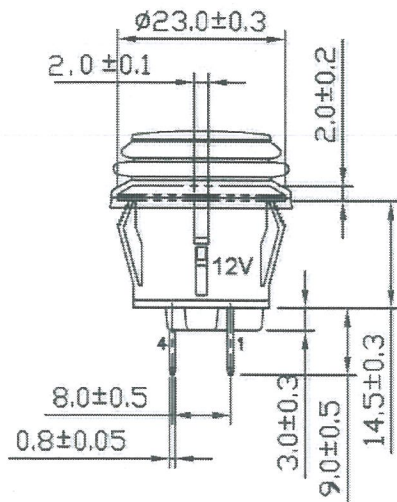
- Frame: Black, Nylon 66 (94-V2)
- Actuator: PC Clear (94-V2), For Color Ref. "X" in Actuator/LED Color Chart and CW P/N.
- LED: For Color Ref. "X" in Actuator/LED Color Chart and CW P/N.
- Terminals: Silver plated, Copper alloy
- Waterproof Rubber: Black, Silicone
- Printed: None
- Waterproof: IP65



ACTUATOR/LED COLOR	X
Amber	A
Green	G
Red	R
Blue	U
White	W



ORDER CHART			
Series	Terminal Type	Frame Color	Actuator Color
GPB527	D2B 02	B	X1
Function		Actuator Color	



RoHS Compliant

2	Removed logo and added order chart. APhilip 11/17/22
1	4.8+/-0.1 Was 4.75+/-0.1 Term width. 11/08/16.

CW INDUSTRIES
Southampton, Pa. 18966
Tel 215.355.7080/www.cwind.com

Date Drawn: 6/28/12

Rev. 2

Unit: mm

Checked By: **G. GULD**

Title: **PUSH BUTTON SWITCH**

CW P/N: **GPB527D2B02BX1**