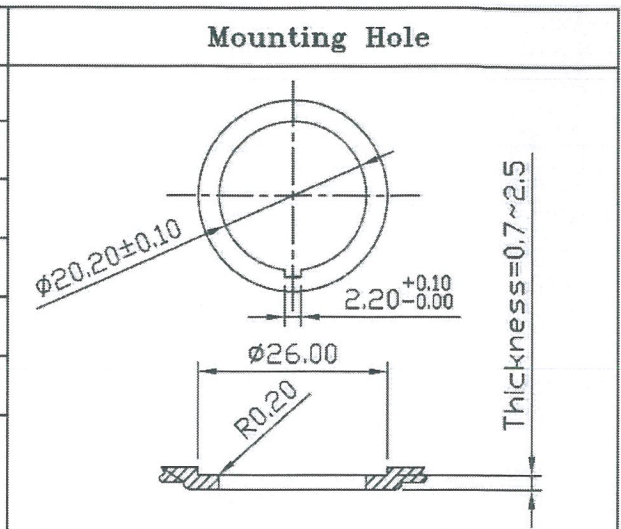


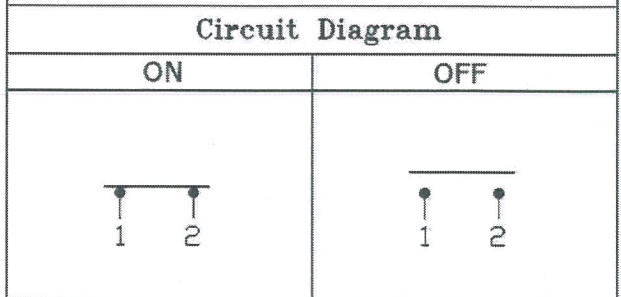
THIS INFORMATION IS CONFIDENTIAL AND PROPRIETARY TO CW INDUSTRIES INCORPORATED AND ITS AFFILIATES. IT MAY NOT BE DISCLOSED TO ANYONE, OTHER THAN CW INDUSTRIES PERSONNEL, WITHOUT WRITTEN AUTHORIZATION FROM CW INDUSTRIES INCORPORATED, SOUTHAMPTON, PENNSYLVANIA USA.

Rating	10A 125V, 6A 250V AC 1/2HP 125 / 250VAC	
	20A 14VDC	
Contact Resistance	50m ohm Max.	
Insulation Resistance	DC 500V 100M ohm Min.	
Dielectric Strength	AC 1500V 1 minute	
Operation Temperature	-25°C ~ 85°C	
Switch Function	2P SPST ON - OFF	

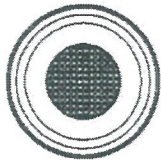


MATERIAL:

- Frame: Black, Nylon 66 (94-V2)
- Actuator: PC Clear (94-V2), For Color Ref. "X" in Actuator Color Chart and CW P/N.
- Terminals: Silver plated, Copper alloy
- Waterproof Rubber: Black, Silicone
- Printed: None
- Waterproof: IP65

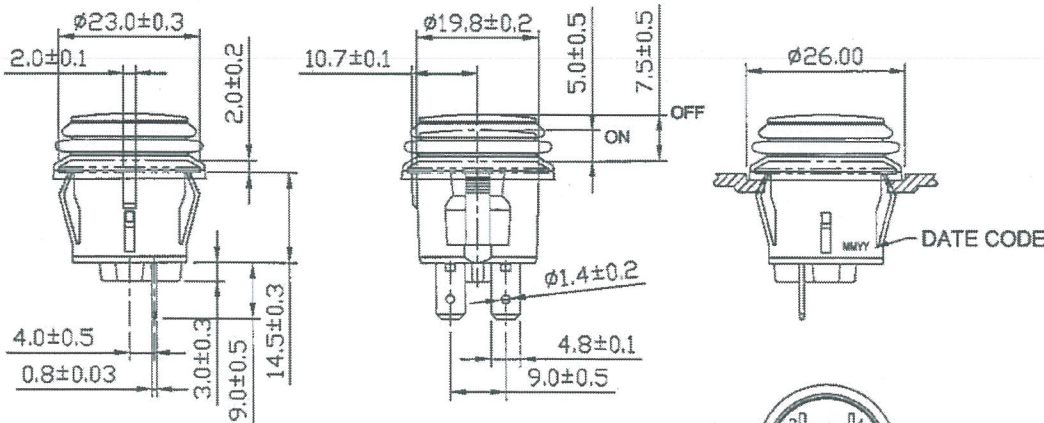


Full travel: 4.5mm

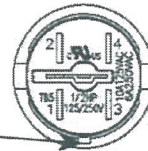


ORDER CHART				
Series	Terminal Type	Frame Color		
GPB527	D2	02	B	X
Function		Actuator Color		

ACTUATOR COLOR	X
Amber	A
Black	B
Green	G
Red	R
Blue	U
White	W



ORIENTATION KEY



RoHS Compliant

MASTER

- 2 Removed logo and added order chart. APhilip 11/18/22
- 1 Removed () from ON in Circuit Diagram. 4-02-13

CW INDUSTRIES
Southampton, Pa. 18966
Tel 215.355.7080/www.cwind.com

Date Drawn: 6-27-2012

Rev. 2

Unit: mm

Checked By: *G. Gold*

Title:
PUSH BUTTON SWITCH

CW P/N:

GPB527D202BX