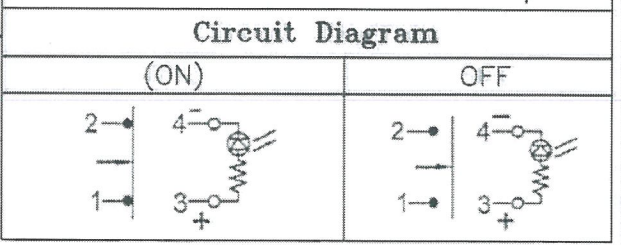
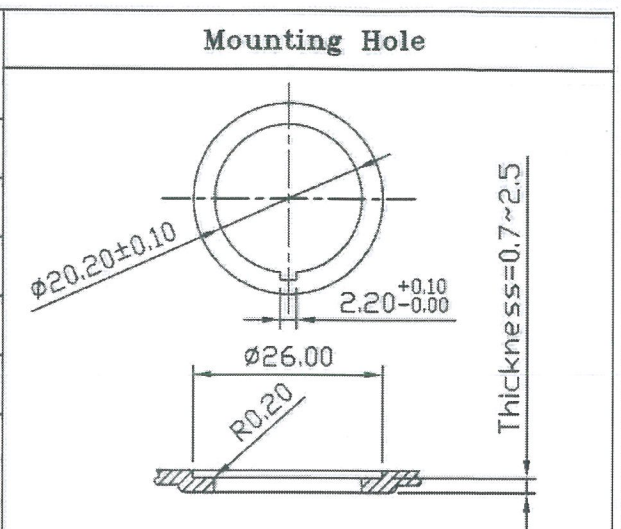


THIS INFORMATION IS CONFIDENTIAL AND PROPRIETARY TO CW INDUSTRIES INCORPORATED AND ITS AFFILIATES. IT MAY NOT BE DISCLOSED TO ANYONE, OTHER THAN CW INDUSTRIES PERSONNEL, WITHOUT WRITTEN AUTHORIZATION FROM CW INDUSTRIES INCORPORATED, SOUTHAMPTON, PENNSYLVANIA USA.

Rating	20A 14VDC
Contact Resistance	50m ohm Max.
Insulation Resistance	DC 500V 100M ohm Min.
Dielectric Strength	AC 1500V 1 minute
Operation Temperature	-25°C ~ 85°C
Switch Function	4P SPST (ON)-OFF LED independent
Lamp Type	Led: OVLLR8C7, Color-Red, Lens
Color-Water Clear, VF-2.2, IF-20mA, Iv(mcd)-570, View Angle-85°	

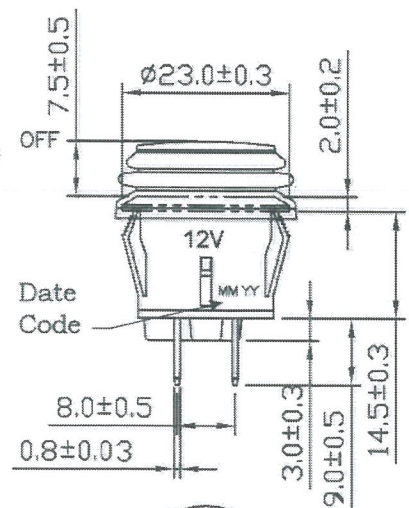
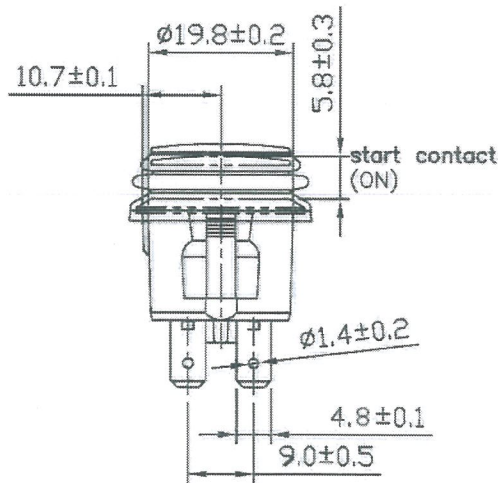
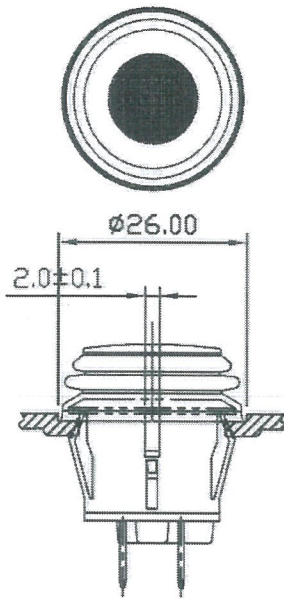


Full travel: 4.5mm

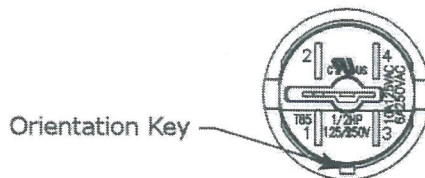
() = Momentary Function

MATERIAL:

- Frame: Black, Nylon 66 (94-V2)
- Actuator: Red Clear, PC (94-V2)
- Terminals: Silver plated, Copper Alloy
- Waterproof Rubber: Black, Silicone
- Waterproof: IP65




ORDER CHART				
Series	Terminal Type	Frame Color	Actuator Color	
GPB527	C2L	02	BR1	R
Function			Actuator Color	



MASTER
RoHS Compliant

1 Removed logo and added order chart. APhilip 11/17/22

 CW INDUSTRIES Southampton, Pa. 18966 Tel 215.355.7080/www.cwind.com	Date Drawn: 7/03/14	Rev. 1	Unit: mm	Checked By: <i>G. GOLD</i>
	Title: PUSH BUTTON SWITCH		CW P/N: GPB527C2L02BR1R	