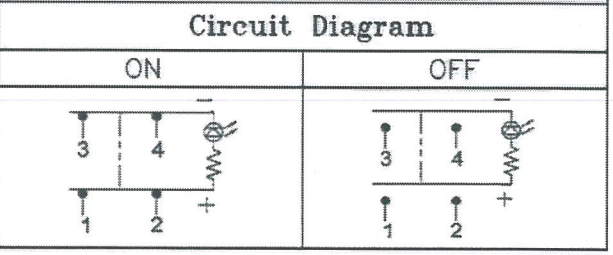
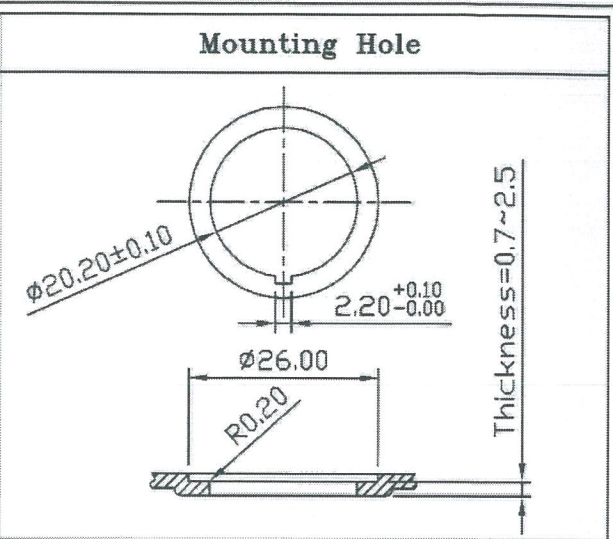


THIS INFORMATION IS CONFIDENTIAL AND PROPRIETARY TO CW INDUSTRIES INCORPORATED AND ITS AFFILIATES. IT MAY NOT BE DISCLOSED TO ANYONE, OTHER THAN CW INDUSTRIES PERSONNEL, WITHOUT WRITTEN AUTHORIZATION FROM CW INDUSTRIES INCORPORATED, SOUTHAMPTON, PENNSYLVANIA USA.

Rating	10A 125V, 6A 250VAC 1/2HP 125/250VAC	
Configured For	20A 14VDC	
Contact Resistance	50m ohm Max.	
Insulation Resistance	DC 500V 100M ohm Min.	
Dielectric Strength	AC 1500V 1 minute	
Operation Temp.	-25°C ~ 85°C	
Function	4P DPST ON - OFF Lamp Dependent	
Lamp Type	LED 12VDC 14V w/resistor	

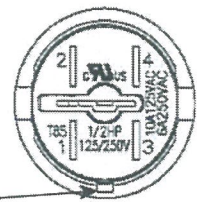
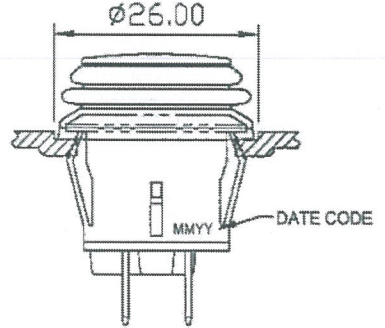
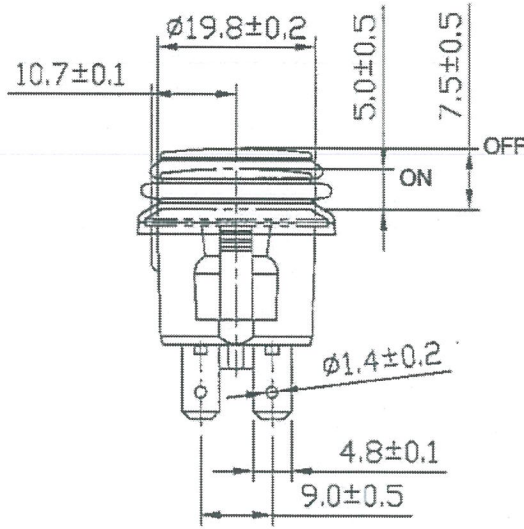
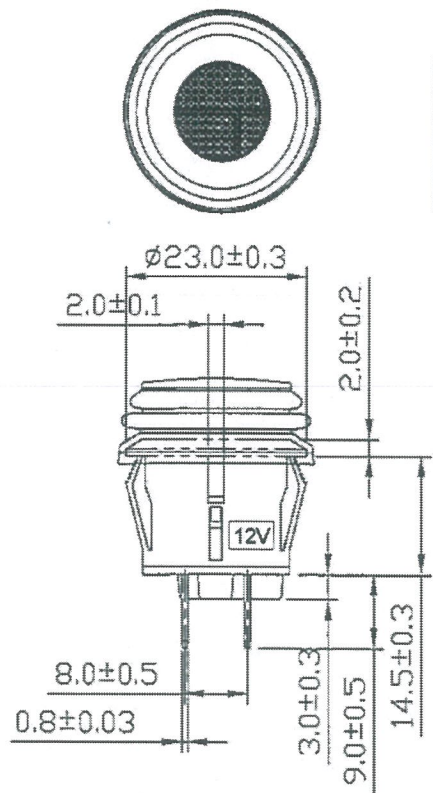


MATERIAL:
 Frame: Black, Nylon 66 (94-V2)
 Actuator: PC Clear (94-V2), For Color Ref. "X" in Actuator/LED Color Chart and CW P/N.
 LED: For Color Ref. "X" in Actuator/LED Color Chart and CW P/N.
 Terminals: Silver plated, Copper alloy
 Waterproof Rubber: Black, Silicone
 Printed: None
 Waterproof: IP65

Full Travel: 4.5mm

Actuator/LED Color	X
Amber	A
Green	G
Red	R
Blue	U
White	W

ORDER CHART				
Series	Terminal Type	Frame Color	Actuator Color	
GPB527	B2L	02	B	XI
Function		Actuator Color		



RoHS Compliant

MASTER

1 Removed logo and added order chart. APhilip 11/18/22

CW INDUSTRIES
 Southampton, Pa. 18966
 Tel 215.355.7080/www.cwind.com

Date Drawn: 6/07/12

Rev. 1

Unit: mm

Checked By: *G. GULD*

Title: PUSH BUTTON SWITCH

CW P/N: **GPB527B2L02BX1**