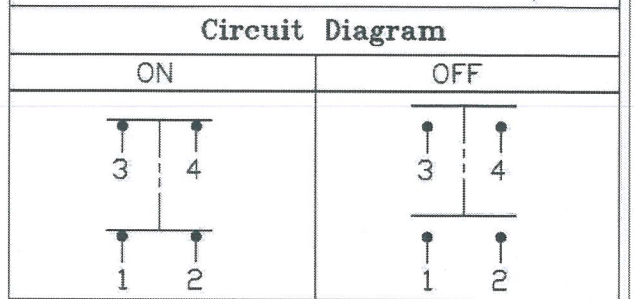
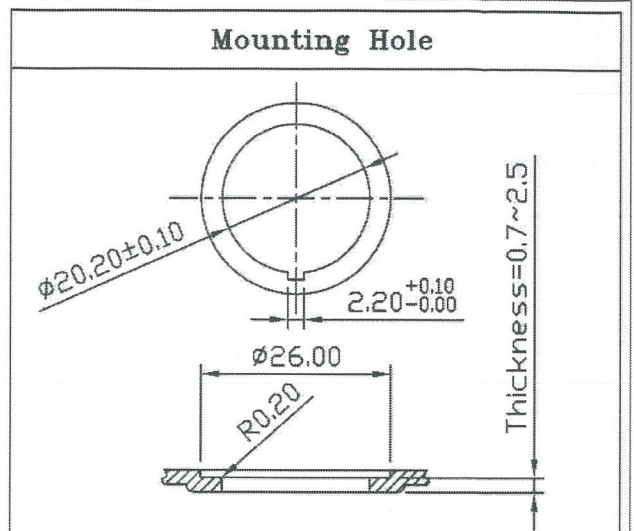


THIS INFORMATION IS CONFIDENTIAL AND PROPRIETARY TO CW INDUSTRIES INCORPORATED AND ITS AFFILIATES. IT MAY NOT BE DISCLOSED TO ANYONE, OTHER THAN CW INDUSTRIES PERSONNEL, WITHOUT WRITTEN AUTHORIZATION FROM CW INDUSTRIES INCORPORATED, SOUTHAMPTON, PENNSYLVANIA USA.

Rating	10A 125V, 6A 250V AC 1/2HP 125/250VAC	
	20A 14VDC	
Contact Resistance	50m ohm Max.	
Insulation Resistance	DC 500V 100M ohm Min.	
Dielectric Strength	AC 1500V 1 minute	
Operation Temp.	- 25 °C ~ 85 °C	
Function	4P DPST ON -OFF	

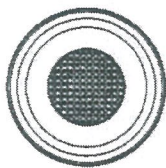


Full travel: 4.5mm

MATERIAL:

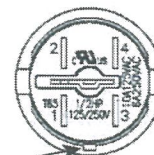
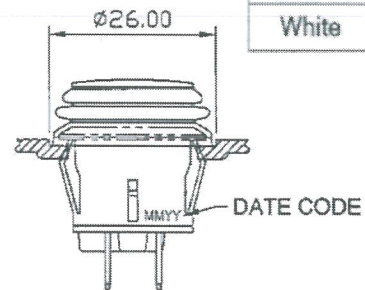
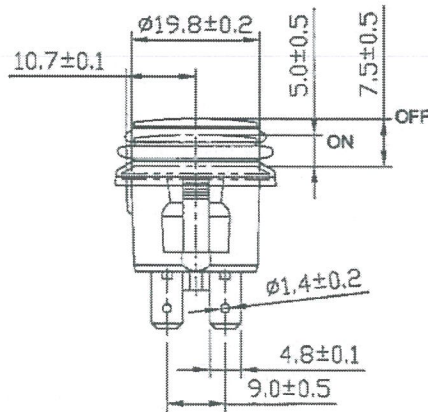
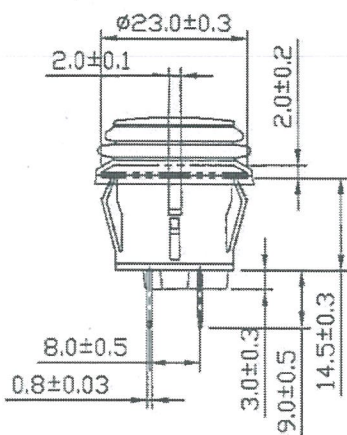
Frame: Black, Nylon 66 (94-V2)
 Actuator: PC Clear (94-V2), For Color
 Ref. "X" in Actuator Color Chart
 and CW P/N.

Terminals: Silver plated, Copper alloy
 Waterproof Rubber: Black, Silicone
 Printed: None
 Waterproof: IP65



ORDER CHART				
Series	Terminal Type	Frame Color	Actuator Color	
GPB527	B2	02	B	X
			Function	Actuator Color

ACTUATOR COLOR	X
Amber	A
Black	B
Green	G
Red	R
Blue	U
White	W



RoHS Compliant

MASTER

ORIENTATION KEY

1 Removed logo and added order chart. APhilip 11/18/22

CW INDUSTRIES
 Southampton, Pa. 18966
 Tel 215.355.7080/www.cwind.com

Date Drawn: 6-07-12

Rev.1

Unit: mm

Checked By: *G. GULD*

Title: **PUSH BUTTON SWITCH**

CW P/N:

GPB527B202BX