



THIS INFORMATION IS CONFIDENTIAL AND PROPRIETARY TO CW INDUSTRIES INCORPORATED AND ITS AFFILIATES. IT MAY NOT BE DISCLOSED TO ANYONE, OTHER THAN CW INDUSTRIES PERSONNEL, WITHOUT WRITTEN AUTHORIZATION FROM CW INDUSTRIES INCORPORATED, SOUTHAMPTON, PENNSYLVANIA USA.

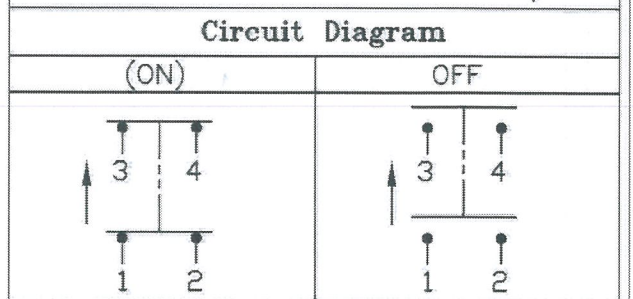
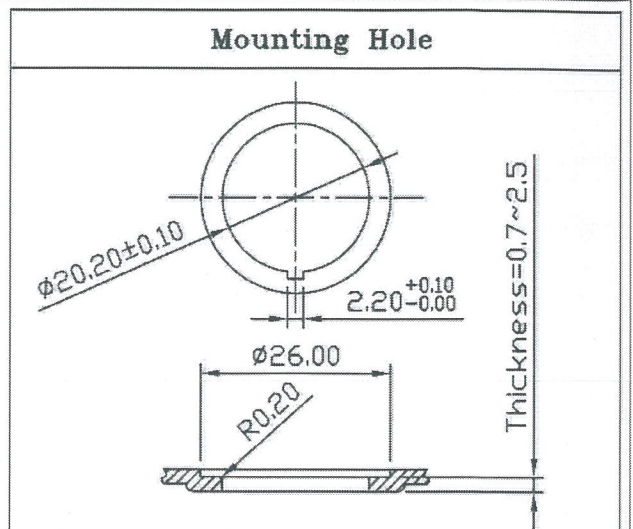
Rating	10A 125V, 6A 250V AC 1/2 HP 125/250V AC	 
	10(4)A 125-250V AC 20A 14V DC	
Contact Resistance	50m ohm Max.	
Insulation Resistance	DC 500V 100M ohm Min.	
Dielectric Strength	AC 1500V 1 minute	
Operation Temp.	- 25 °C ~ 85 °C	
Function	4P DPST (ON)-OFF	
Operating Force	600 +/- 200gf	

**Note:**

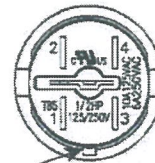
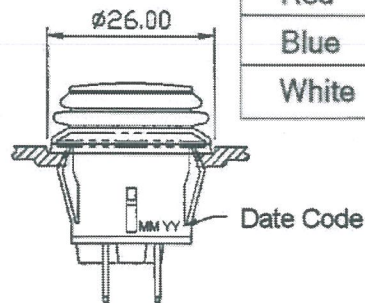
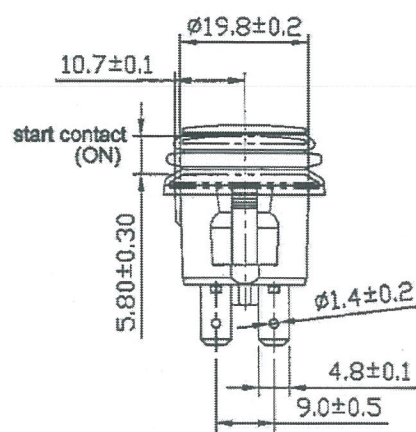
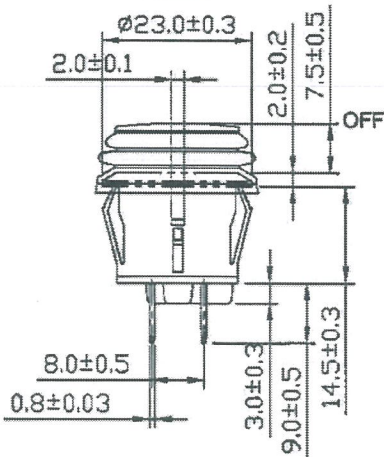
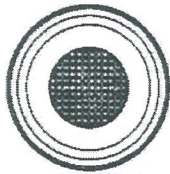
- For 36 VDC Operation, Switch may control up to 10A max..

**MATERIAL:**

Frame: Black, Nylon 66 (94-V2)  
 Actuator: PC Clear (94-V2), For Color Ref. "X" in Actuator Color Chart and CW P/N.  
 Terminals: Silver plated, Copper alloy  
 Waterproof Rubber: Black, Silicone  
 Printed: None  
 Waterproof: IP65



( ) = Momentary Function Full travel: 4.5mm



ORIENTATION KEY

ORDER CHART				
Series	Terminal Type	Frame Color	Actuator Color	
GPB527	A2	02	B	X

ACTUATOR COLOR	X
Amber	A
Black	B
Green	G
Red	R
Blue	U
White	W

RoHS Compliant

**MASTER**

- 5 Removed logo and added order chart. A.Philip 11/17/22
- 4 Added DC to note 1. DW 11/29/18

**CW INDUSTRIES**  
 Southampton, Pa. 18966  
 Tel 215.355.7080/www.cwind.com

Date Drawn: 6-07-12

Rev. 5

Unit: mm

Checked By: *G. GULD*

Title: **PUSH BUTTON SWITCH**

CW P/N:

**GPB527A202BX**