
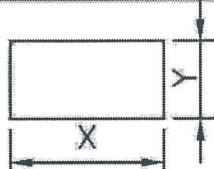
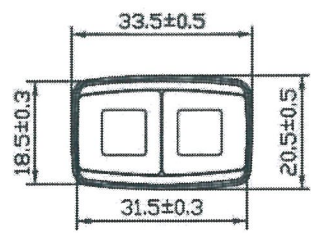
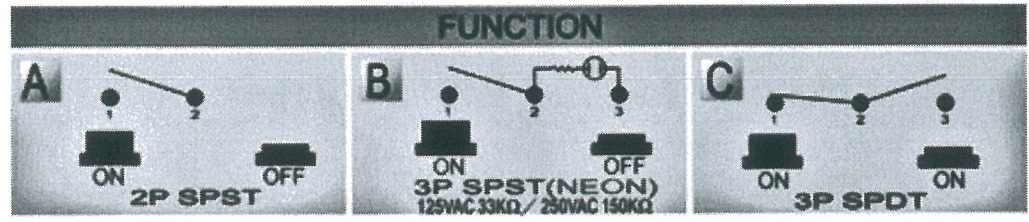
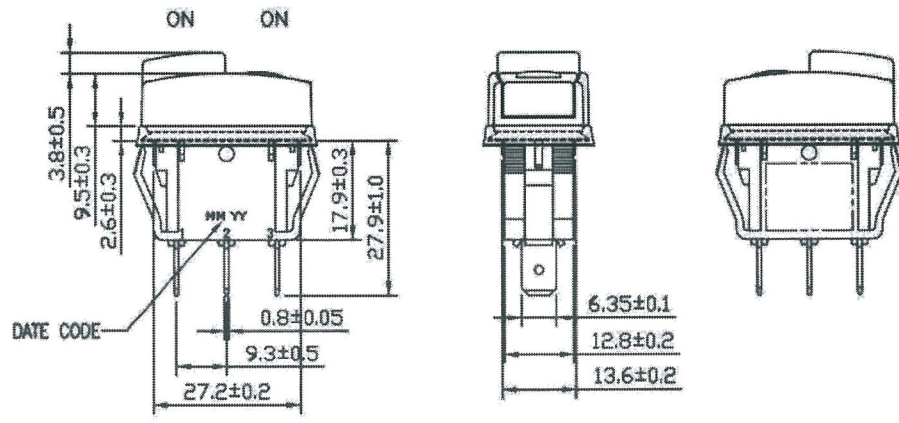


THIS INFORMATION IS CONFIDENTIAL AND PROPRIETARY TO CW INDUSTRIES INCORPORATED AND ITS AFFILIATES. IT MAY NOT BE DISCLOSED TO ANYONE, OTHER THAN CW INDUSTRIES PERSONNEL, WITHOUT WRITTEN AUTHORIZATION FROM CW INDUSTRIES INCORPORATED, SOUTHAMPTON, PENNSYLVANIA USA.

Rating	16A 125VAC 1/3HP 10A 250VAC 1/2HP		Mounting Hole	Circuit Diagram
	10(4) 250V~			
Contact Resistance	50m ohm Max.			SEE CHART
Insulation Resistance	DC 500V 100M ohm Min.			
Dielectric Strength	AC 1500V 1 minute			
Switch Function	SEE CHART			
	Thickness	X		
	0.75...3	27.6-0.1	13.8+0.1	
	3...4	27.8-0.1	13.8+0.1	
	4...5	28.0-0.1	13.8+0.1	



Frames and Actuators are nylon (UL flame:94-2).
Illuminated actuators are molded in PC, available in Red, Amber or Green colors.
Terminals are silver plated brass.
Waterproof and dustproof to fit IP-56.



ORDER CHART					
Series	Frame Color		Actuator #2 Color		
GPB526	X	01	B	X	X
Function		Actuator #1 Color			
Terminal					

MASTER

R13-526X-01-BXX

1 Removed Logo & added Order Chart. DW 2/22/23

CW INDUSTRIES
Southampton, Pa. 18966
Tel 215.355.7080/www.cwind.com

Date Drawn: 1/28/11

Rev. 1

Unit: mm

Checked By: *G. GULD*

Title: **PUSH BUTTON SWITCH**

CW P/N: **GPB526XSERIES**