
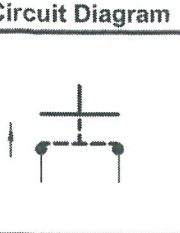
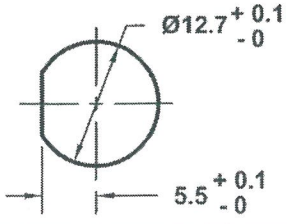


THIS INFORMATION IS CONFIDENTIAL AND PROPRIETARY TO CW INDUSTRIES INCORPORATED AND ITS AFFILIATES. IT MAY NOT BE DISCLOSED TO ANYONE, OTHER THAN CW INDUSTRIES PERSONNEL, WITHOUT WRITTEN AUTHORIZATION FROM CW INDUSTRIES INCORPORATED, SOUTHAMPTON, PENNSYLVANIA USA.

Rating	3A. 125V , 1. 5A 250V AC		Mounting Hole	
Contact Resistance	50m ohm max.			
Insulation Resistance	DC 500V 100M ohm min.			
Dielectric Strength	AC 1000V 1 minute			
Switch Function	2P SPST OFF - (ON)			

( ) = Momentary

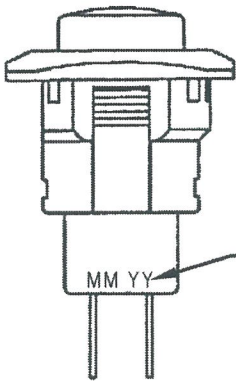
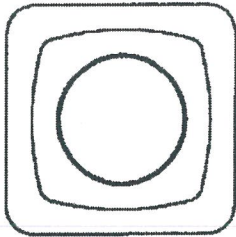
Cut-Out 3 mm thk. max

**MATERIAL:**

Housing: Black, Nylon #66

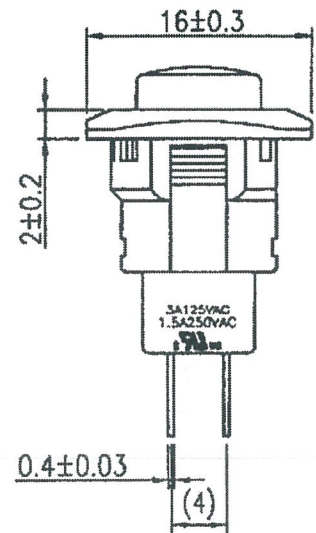
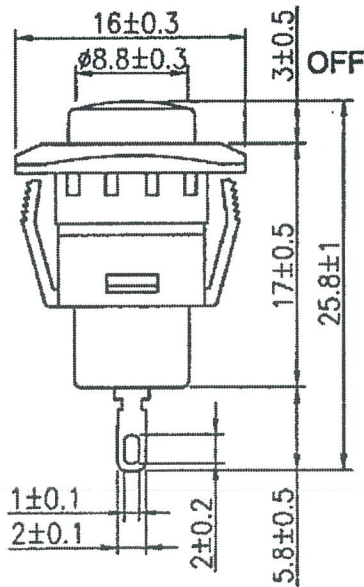
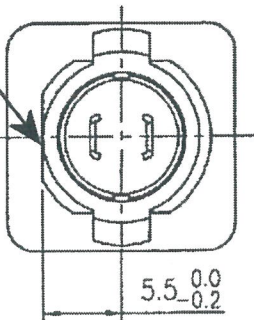
Button: Red, Nylon #66

Terminals: Silver plated, Copper Alloy



Date Code

Flat



Order Chart				
Series		Terminal		Frame Color
GPB510	A	05	B	R
Function			Actuator Color	

**MASTER**

R13-510A-05-BR

RoHS Compliant

2 Removed Logo & added order chart. DW 1/16/23

1 Updated dimensions and views. 10/17/13.

**CW INDUSTRIES**  
Southampton, Pa. 18966  
Tel 215.355.7080/www.cwind.com

Date Drawn: 1/27/10

Rev. 2

Unit: mm

Checked By: *G. GULD*

Title: **PUSH BUTTON SWITCH**

CW P/N: **GPB510A05BR**