
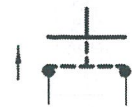
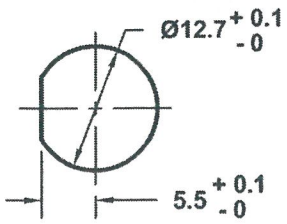


THIS INFORMATION IS CONFIDENTIAL AND PROPRIETARY TO CW INDUSTRIES INCORPORATED AND ITS AFFILIATES. IT MAY NOT BE DISCLOSED TO ANYONE, OTHER THAN CW INDUSTRIES PERSONNEL, WITHOUT WRITTEN AUTHORIZATION FROM CW INDUSTRIES INCORPORATED, SOUTHAMPTON, PENNSYLVANIA USA.

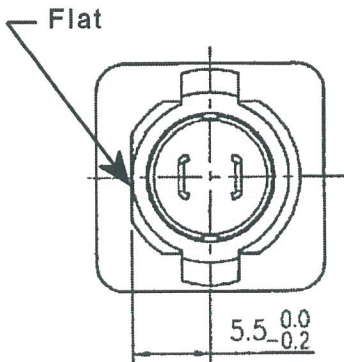
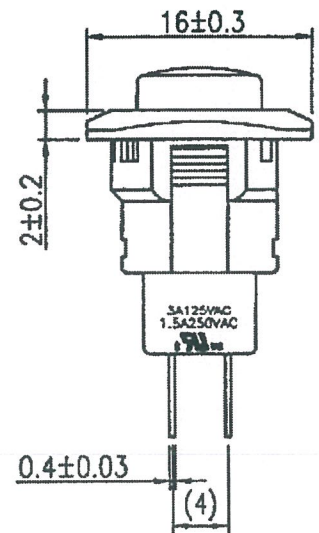
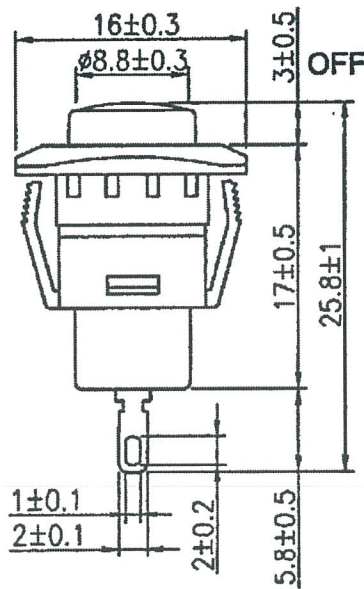
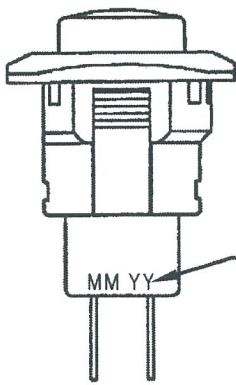
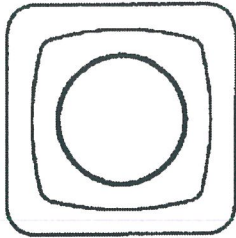
Rating	3A. 125V , 1.5A 250V AC		Mounting Hole	
Contact Resistance	50m ohm max.			
Insulation Resistance	DC 500V 100M ohm min.			
Dielectric Strength	AC 1000V 1 minute			
Switch Function	2P SPST OFF - (ON)			

() = Momentary

Cut-Out 3 mm thk. max

MATERIAL:

Housing: Black, Nylon #66
 Button: Black, Nylon #66
 Terminals: Silver plated, Copper Alloy



Order Chart			
Terminal		Frame Color	
Series	Terminal	Frame Color	Actuator Color
GPB510	A	05	B B
Function		Actuator Color	

MASTER

R13-510A-05-BB

RoHS Compliant

- 2 Removed Logo & added order chart. DW 1/16/23
- 1 Updated dimensions and views. 10/17/13.

CW INDUSTRIES
 Southampton, Pa. 18966
 Tel 215.355.7080/www.cwind.com

Date Drawn: 1/27/10

Rev. 2

Unit: mm

Checked By: *G. GULD*

Title: **PUSH BUTTON SWITCH**

CW P/N:

GPB510A05BB