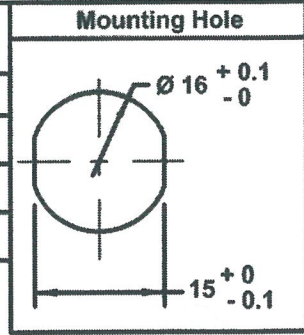


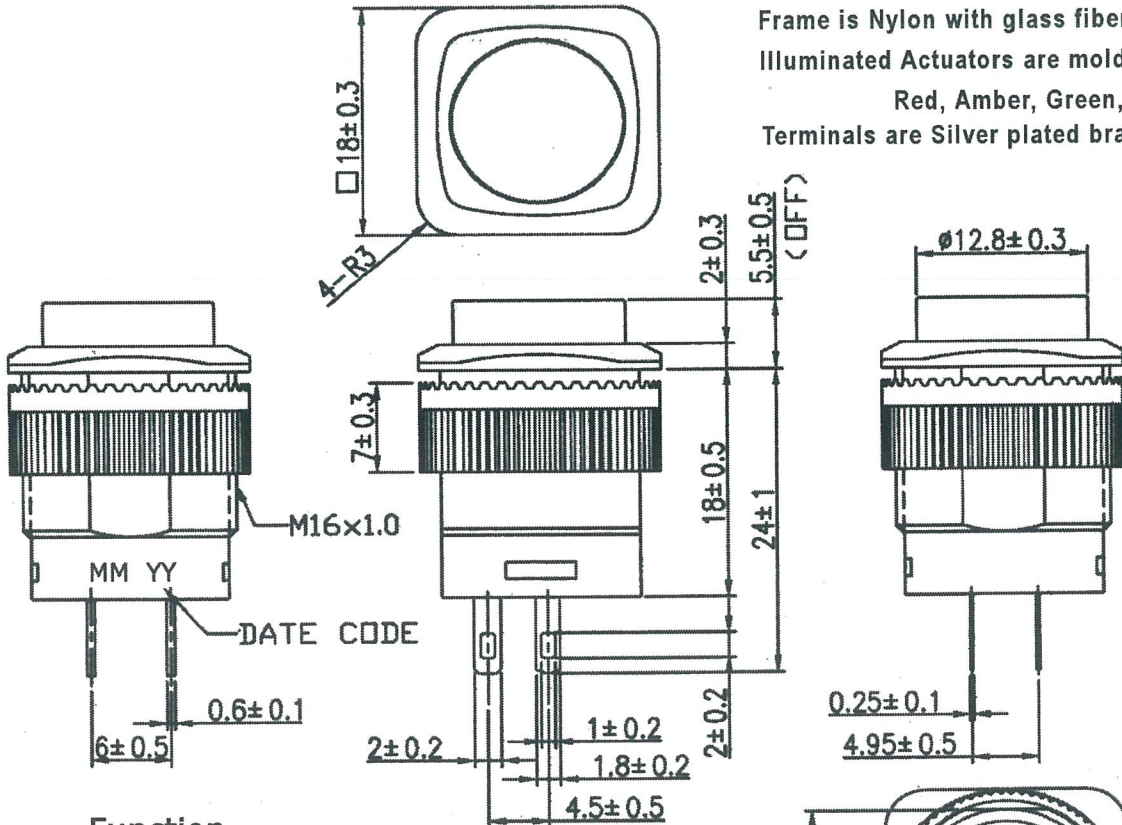
THIS INFORMATION IS CONFIDENTIAL AND PROPRIETARY TO CW INDUSTRIES INCORPORATED AND ITS AFFILIATES. IT MAY NOT BE DISCLOSED TO ANYONE, OTHER THAN CW INDUSTRIES PERSONNEL, WITHOUT WRITTEN AUTHORIZATION FROM CW INDUSTRIES INCORPORATED, SOUTHAMPTON, PENNSYLVANIA USA.

Rating	3A 125V, 1.5A 250V AC	
Contact Resistance	50m ohm max.	
Insulation Resistance	DC 500V 100M ohm min.	
Dielectric Strength	AC 1500V 1 minute	
Operating Temperature	-20°C ~ 85°C	

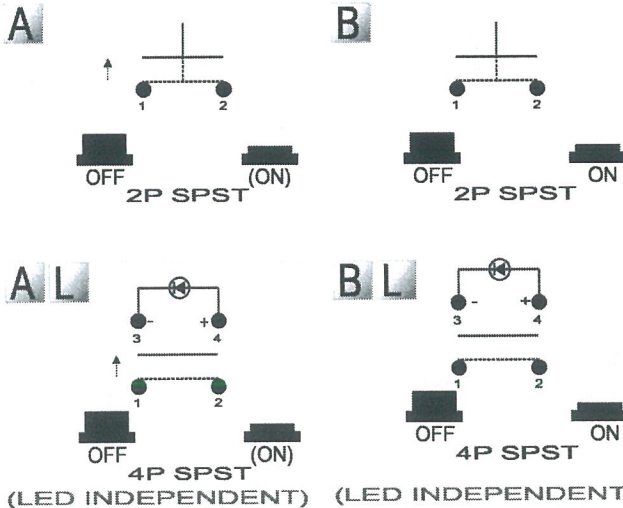


Cut-Out 7mm thk. max.

Frame is Nylon with glass fiber (UL Flame: 94V-2).
Illuminated Actuators are molded in PC, Available in Red, Amber, Green, Blue or White Colors.
Terminals are Silver plated brass.



Function



Terminal



() = Momentary Function

MASTER

ORDER CHART

Series	Terminal
GPB508 XX 05 B X	
Function	Frame Color
	Actuator Color

- 2 Removed Logo. DW 1/13/23.
- 1 Updated Drawing showing LED version. DW 6/24/21

CW INDUSTRIES
Southampton, Pa. 18966
Tel 215.355.7080/www.cwind.com

Date Drawn: 2/08/11

Rev. 2

Unit: mm

Checked By: *G. GOLD*

Title: **PUSH BUTTON SWITCH**

CW P/N: **GPB508XSERIES**