
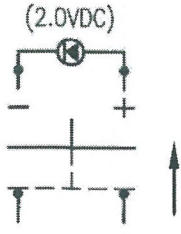
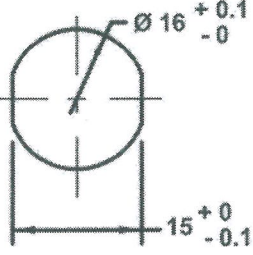


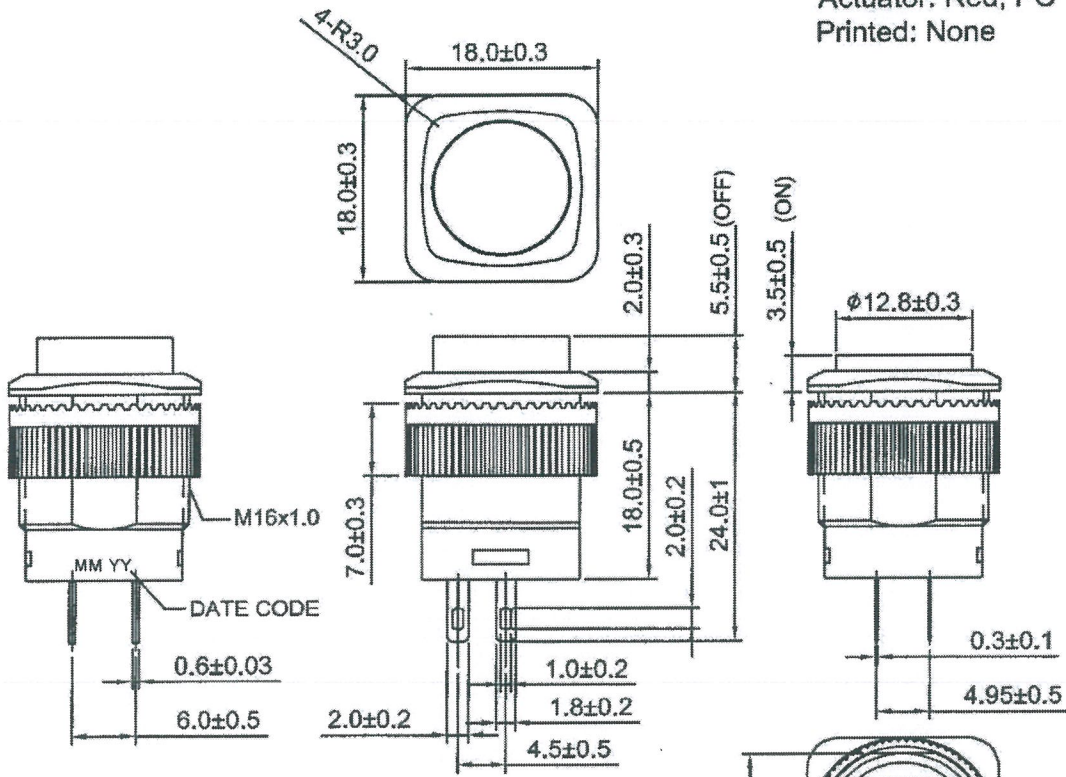
THIS INFORMATION IS CONFIDENTIAL AND PROPRIETARY TO CW INDUSTRIES INCORPORATED AND ITS AFFILIATES. IT MAY NOT BE DISCLOSED TO ANYONE, OTHER THAN CW INDUSTRIES PERSONNEL, WITHOUT WRITTEN AUTHORIZATION FROM CW INDUSTRIES INCORPORATED, SOUTHAMPTON, PENNSYLVANIA USA.

Rating	3A 125V, 1.5A 250V AC		Mounting Hole	
Contact Resistance	50m ohm max.			
Insulation Resistance	DC 500V 100M ohm min.			
Dielectric Strength	AC 1500V 1 minute			
Operating Temperature	-20°C ~ 85°C			
Switch Function	4P SPST OFF - (ON) LED Independent			
Lamp Type	LED 2.0VDC No Resistor			

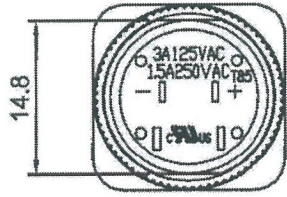
() = Momentary Function

Cut-Out 7mm thk. max.

Material:
 Frame: Black, Nylon#66+33%GF
 Actuator: Red, PC
 Printed: None



ORDER CHART			
Series	Terminal		
GPB508	AL	05	B R
Function		Frame Color	Actuator Color



Tolerances ±0.3 Unless Otherwise Specified

RoHS Compliant

R13-508AL-05-BRR-L3

MASTER

- 3 Removed Logo & added order chart. DW 1/13/23.
- 2 2VDC was 3VDC and updated drawing. 1/12/15.

CW INDUSTRIES
 Southampton, Pa. 18966
 Tel 215.355.7080/www.cwind.com

Date Drawn: 12/24/09
 Title: **PUSH BUTTON SWITCH**

Rev. 3
 Unit: mm
 Checked By: *G. GULD*
 CW P/N: **GPB508AL05BR**